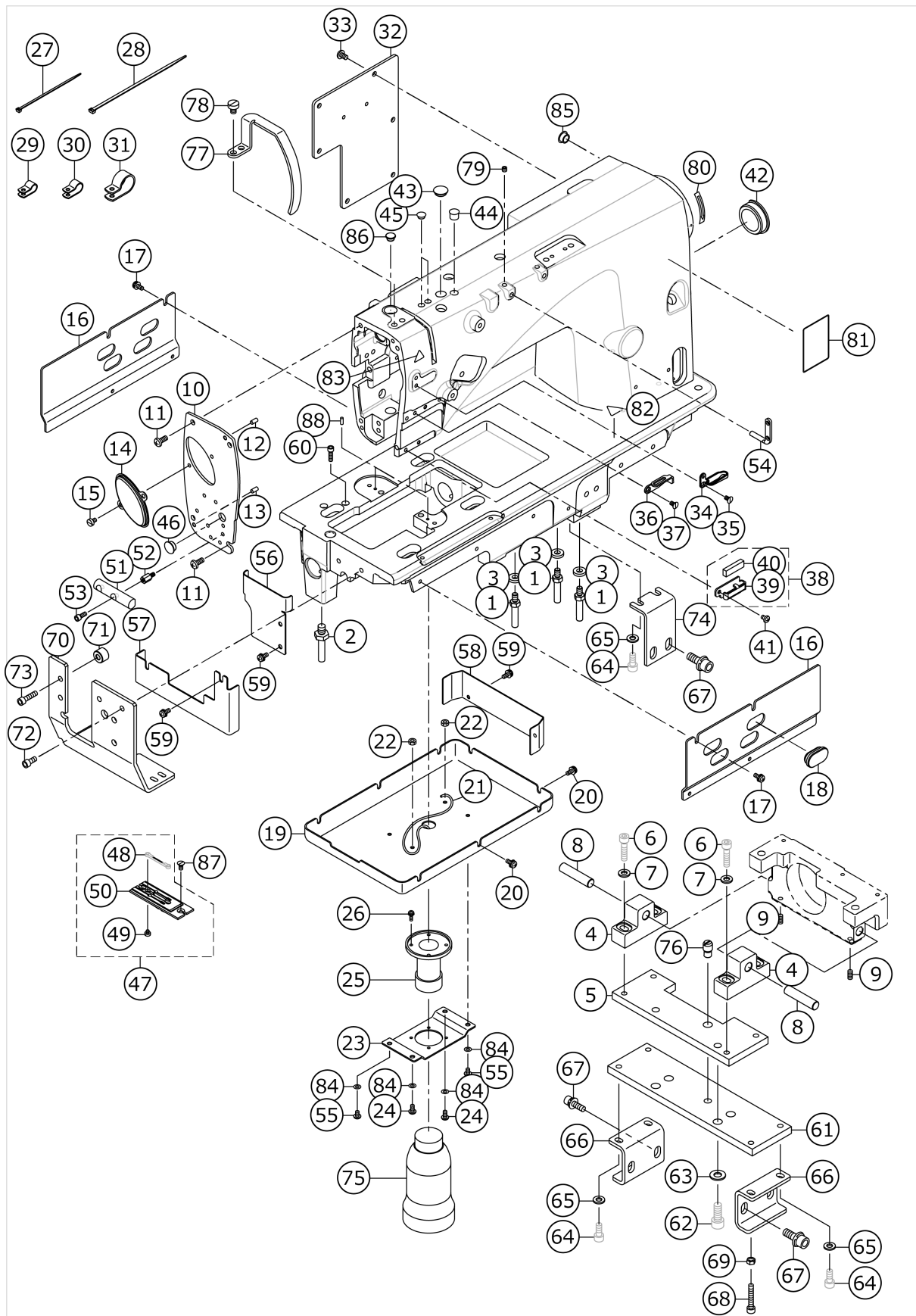


APW-895L

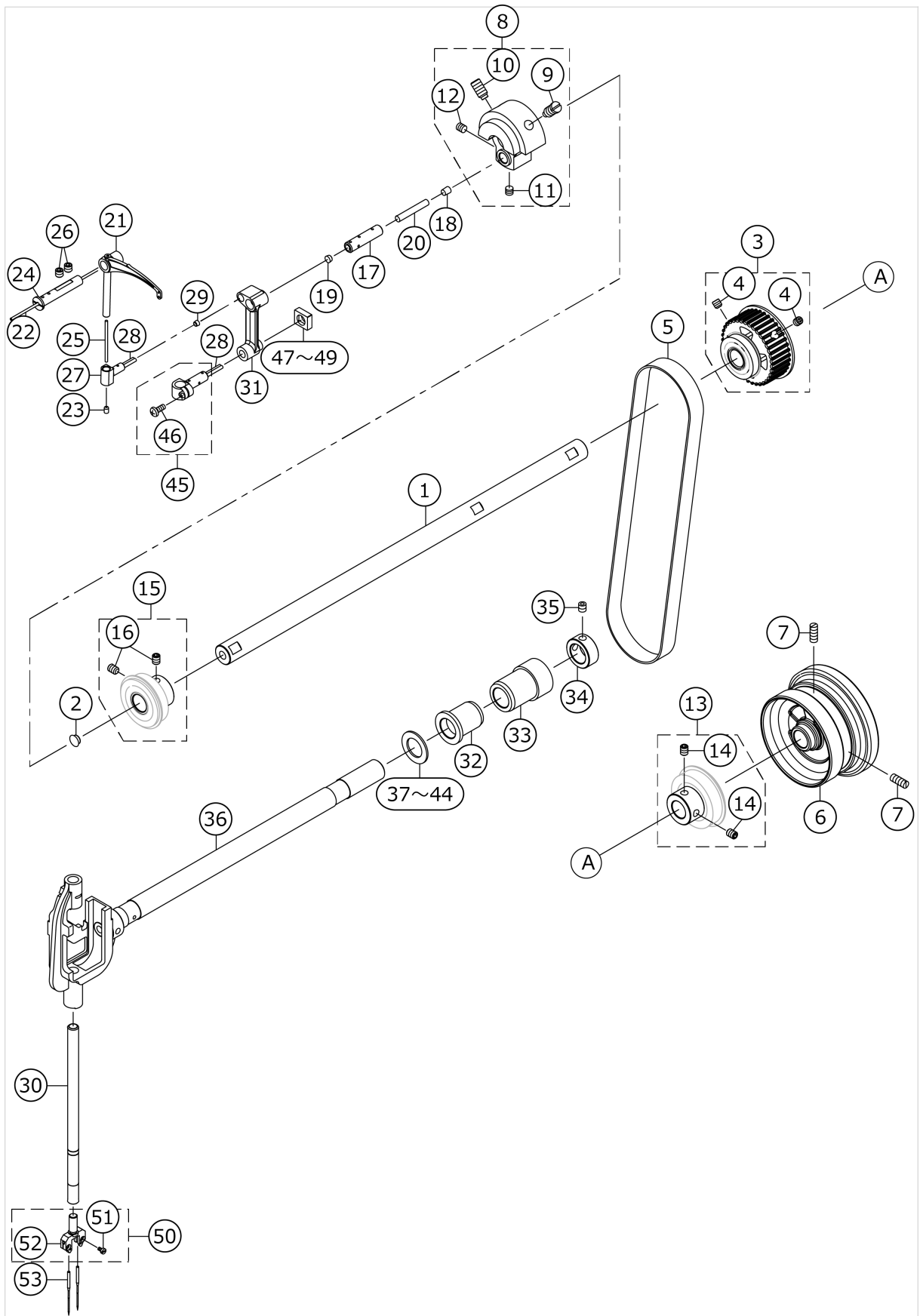
FRAME & MISCELLANEOUS COVER COMPONENTS



No.	品番	品名	備考	子部品	消耗品	個数
1	40028555	STUD				3.00
2	40035180	BED_SCREW_STUD_B				1.00
3	40036690	WASHER				3.00
4	40033410	HEAD_BASE_A				2.00
5	40034481	HEAD_BASE_PLATE_B				1.00
6	SM6062502TN	HEXAGONAL-HOLE BOLT				4.00
7	WP0641601SC	WASHER				4.00
8	40033825	HEAD_FIXED_SHAFT				2.00
9	SM8051002TP	SCREW M5 L=10				2.00
10	40025640	FACE_PLATE_A				1.00
11	SM4050855SP	SCREW				4.00
12	PS0400082KP	SPRING PIN				1.00
13	PS0400082KP	SPRING PIN				1.00
14	40025641	FACE_PLATE_B				1.00
15	SM6040650TP	SCREW				2.00
16	40033441	OIL_COVER_A				2.00
17	SL4041091SC	SCREW M4 L=10				6.00
18	40028877	FACE_COVER_CAP				4.00
19	40033442	OIL_COVER_B				1.00
20	SL4041091SC	SCREW M4 L=10				6.00
21	CQ202000000	OIL WICK				1.00
22	NM6040000SN	NUT M4				2.00
23	40033443	OIL_MANAGEMENT_BRACKET				1.00
24	SM4040855SP	SCREW				1.00
25	B8202205000	OIL MANAGEMENT				1.00
26	SL4031081SC	SCREW M3 X 10				4.00
27	EA9500B0100	CABLE BAND				15.00
28	EA9500B0200	CABLE BAND 150				15.00
29	HX00150000C	CABLE CLIP				3.00
30	HX00150000D	CABLE CLIP				3.00
31	HX00150000K	CABLE CLIP				4.00
32	40028766	REAR_PLATE				1.00
33	SM4050855SP	SCREW				6.00
34	40029078	THREAD_GUIDE_UPPER				1.00
35	SM1040750TP	SCREW M4 L=7				1.00
36	40039765	THREAD_GUIDE_M				1.00
37	SM1040750TP	SCREW M4 L=7				1.00
38	40031060	THREAD_GUIDE_F_ASM				1.00
39	40033821	THREAD_GUIDE_F		*		1.00
40	40034444	FELT		*		1.00
41	SM4040655SP	SCREW M4 L=6				1.00
42	22619100	CAP				1.00
43	TA1250406R0	RUBBER PLUG D=12.5 L=4				4.00
44	TA0950806R0	RUBBER PLUG				1.00
45	TA0750704R0	RUBBER PLUG				2.00
46	TA1050504R0	RUBBER PLUG				1.00
47	40046301	NEEDLE_PLATE_10_ASM.				1.00
48	16403008	CONTER KNIFE, RIGHT		*		1.00
49	SS6080320SP	SCREW 1/8-44 L= 2.5		*		2.00
50	40078201	NEEDLE_PLATE_10		*		1.00

51	40026344	ROCK_SHAFT				1.00
52	D5124206K0K	SPACER				2.00
53	SM6041002TP	SCREW M4 L=10				2.00
54	22920706	TWO EYELET				2.00
55	SM4040655SP	SCREW M4 L=6				2.00
56	40042292	BED_OIL_COVER_A				1.00
57	40042293	BED_OIL_COVER_B				1.00
58	40042294	BED_OIL_COVER_C				1.00
59	SL4041091SC	SCREW M4 L=10				6.00
60	SM6041402TN	SCREW M4X0.7 L=14				2.00
61	40034482	HEAD_BASE_PLATE_A				1.00
62	SM6082002TN	SCREW M8 L=20				4.00
63	WP0841601SC	WASHER 8.4X17.4X1.6				4.00
64	SM6061402TN	BOLT				6.00
65	WP0641601SC	WASHER				6.00
66	40038253	FIXING_PLATE				2.00
67	SL6082092TN	BOLT				6.00
68	SM6053052TN	SCREW				4.00
69	NM6050001SC	NUT M5				4.00
70	40034480	HEAD_FRONT_BASE				1.00
71	40033444	FRONT_BASE_SPACER				2.00
72	SM6051400SP	SCREW				2.00
73	SM6052010SC	SCREW M5X0.8 L=20				2.00
74	40034479	HEAD_ROCK_PLATE				1.00
75	B9121012000	OIL CAN				1.00
76	40023180	FIXED_PIN				1.00
77	40028245	THREAD_TAKE_UP_LEVER_COVER				1.00
78	SM6060800SP	SCREW M6 L=8				1.00
79	SM8050412TP	SCREW M5 L=4				2.00
80	CM500300001	DIRECTION LABEL				1.00
81	CM301200001	SAFETY LABEL_S				1.00
82	CM300200002	CAUTION LABEL(25)				1.00
83	CM300200001	ATTENTION SEAL				1.00
84	WP0430800SD	WASHER M4				4.00
85	TA1050504R0	RUBBER PLUG				1.00
86	TA0800504R0	PLUG D=8 L=4.5				1.00
87	SM1040870TP	SCREW				2.00
88	PH0300085S0	PIN				1.00

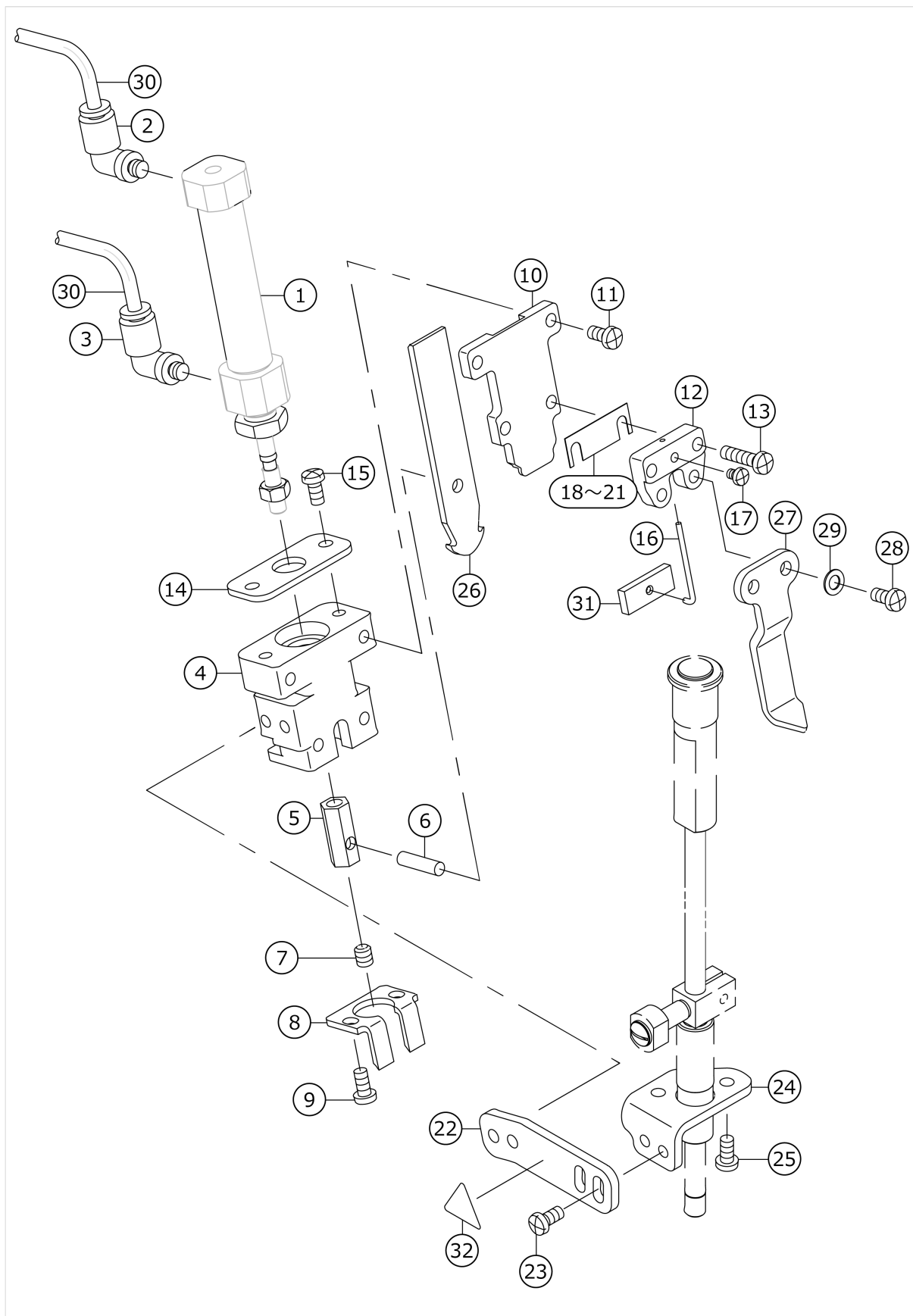
MAIN SHAFT & THREAD TAKE-UP LEVER COMPONENTS



No.	品番	品名	備考	子部品	消耗品	個数
1	40024436	MAINSHAFT				1.00
2	TA0750404R0	PLUG D=7.5 L=3.5				1.00
3	40029048	ASSY_MAINSHAFT_BEARING_2				1.00
4	SM8060612TP	SCREW M6 L=6		*		4.00
5	40028652	TIMING_BELT				1.00
6	40032987	HAND_WHEEL				1.00
7	SM8061550TP	SCREW M6 L=15				2.00
8	40031864	ASSY_COUNTER_WEIGHT				1.00
9	40004171	COUNTER_WEIGHT_SCREW		*		1.00
10	SM8081652TP	SCREW M8 L=16		*		1.00
11	SM8060552TP	SCREW M6 L=5		*		1.00
12	SM8060612TP	SCREW M6 L=6		*		1.00
13	40029049	ASSY_MAINSHAFT_BEARING_3				1.00
14	SM8060812TP	SCREW M6 L=8		*		2.00
15	40029047	ASSY_MAINSHAFT_BEARING				1.00
16	40010417	BEARING_BUSH_SCREW		*		2.00
17	40029964	NEEDLE_BAR_CRANK_PIN				1.00
18	TA0490601R0	PLUG D=4.9X5.5 L=6				1.00
19	TA0500301R0	PLUG 5X5.8 L=3				1.00
20	CQ303000000	OIL WICK				0.02
21	40041107	TAKE_UP_LEVER_E				1.00
22	CQ202000000	OIL WICK				0.04
23	22810907	RUBBER PLUG				1.00
24	22605307	THREAD TAKE-UP LEVER PIN				1.00
25	CQ202000000	OIL WICK				0.15
26	SM8060612TP	SCREW M6 L=6				2.00
27	40027951	TAKE_UP_LEVER_THRUST_PIN				1.00
28	CQ252000000	OIL WICK				0.02
29	TA0370301R0	PLUG D-3.7X4.4 L=3				1.00
30	40033463	NEEDLE_BAR				1.00
31	40022110	NEEDLE_BAR_CRANK_ROD				1.00
32	40023568	BUSHING				1.00
33	40023569	BUSHING				1.00
34	CS1701181TP	THRUST COLLAR D=17 W=11				1.00
35	SM8060612TP	SCREW M6 L=6				2.00
36	40026395	NEEDLE_BAR_ROCKING_BASE_ASM				1.00
37	B1438512B00	WASHER 17.1X28X1.5	SELECTIVE PARTS			1.00
38	22606206	SPACER Y	SELECTIVE PARTS			1.00
39	22606305	SPACER Z	SELECTIVE PARTS			1.00
40	22607600	SPACER A	SELECTIVE PARTS			1.00
41	22607709	SPACER B	SELECTIVE PARTS			1.00
42	22607808	SPACER D	SELECTIVE PARTS			1.00
43	22607907	SPACER E	SELECTIVE PARTS			1.00

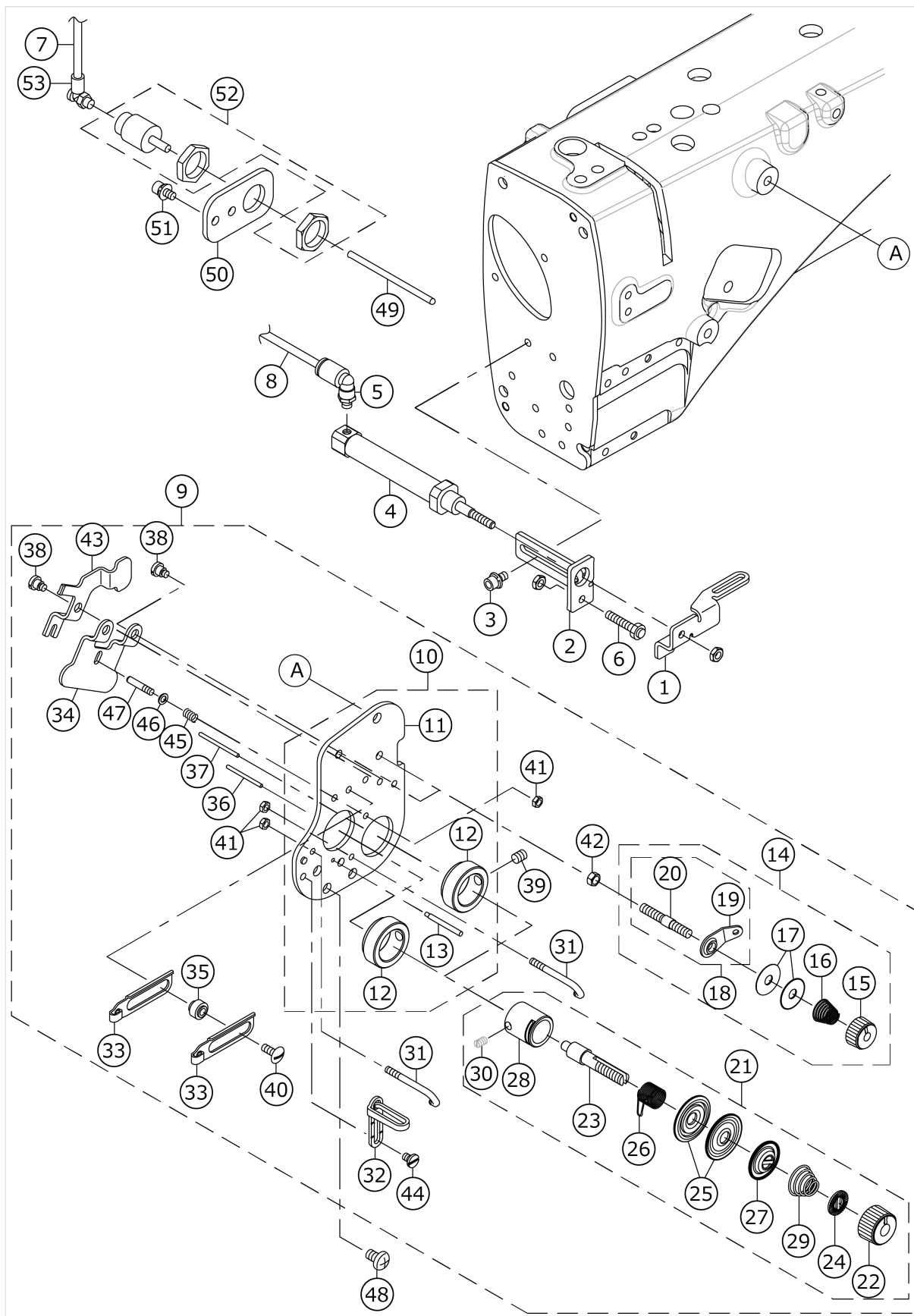
44	22606404	SPACER F	SELECTIVE PARTS			1.00
45	40031862	ASSY_NEEDLE_BAR_CONNECTION				1.00
46	SM4041055SP	SCREW		*		1.00
47	23204506	ROCKING ROD SQUARE BLOCK A	SELECTIVE PARTS			1.00
48	23204605	ROCKING ROD SQUARE BLOCK B	SELECTIVE PARTS			1.00
49	23204704	ROCKING ROD SQUARE BLOCK C	SELECTIVE PARTS			1.00
50	40046314	NEEDLE_BAR_CLAMP_10_ASM.				1.00
51	SM6850400SP	SCREW M2.5 L=4		*		2.00
52	40033451	NEEDLE_BAR_CLAMP_10		*		1.00
53	MDP170B1600	NEEDLE DPX17 #16				2.00

NEEDLE THREAD TRIMMER COMPONENTS



No.	品番	品名	備考	子部品	消耗品	個数
1	PA1604005B0	ARI CYLINDER				1.00
2	PJ304040504	ELBOW UNION				1.00
3	PJ304040506	ELBOW UNION				1.00
4	40023016	UPPER_KNIFE_BASE				1.00
5	40033537	UPPER_KNIFE_JOINT				1.00
6	B1505804000	HINGE SHAFT				1.00
7	SM8050612TP	SCREW M5X6				1.00
8	16409906	NEEDLE THREAD COUNTER KNIFE				1.00
9	SM4040855SP	SCREW				2.00
10	40023019	UPPER_KNIFE_GUIDE				1.00
11	SM4040855SP	SCREW				2.00
12	40023017	UPPER_KNIFE_CLAMP_BASE				1.00
13	SM4041655SP	SCREW M4 L=16				2.00
14	40023018	UPPER_KNIFE_PLATE				1.00
15	SM4040855SP	SCREW				2.00
16	40033816	CLAMP_SPRING				1.00
17	SM4030455SP	SCREW				1.00
18	16410607	SPACER 0.2	SELECTIVE PARTS			1.00
19	16410706	SPACER 0.4	SELECTIVE PARTS			1.00
20	16410805	SPACER 0.6	SELECTIVE PARTS			1.00
21	16410904	SPACER 0.8	SELECTIVE PARTS			1.00
22	40026152	UPPER_THREAD_TRIMMER_PLATE				1.00
23	SM4040855SP	SCREW				4.00
24	40026153	UPPER_THREAD_TRIMMER_BASE				1.00
25	SM4040855SP	SCREW				2.00
26	40023020	UPPER_KNIFE_10_12				1.00
27	40026151	CLOTH_SPREADER				1.00
28	SM4040855SP	SCREW				2.00
29	WP0450000SD	WASHER 4.5X8X0.5				2.00
30	BT0400251EB	URETHANE HOSE, BLACK				2.00
31	40033815	CLAMP_PLATE				1.00
32	CM300200001	ATTENTION SEAL				1.00

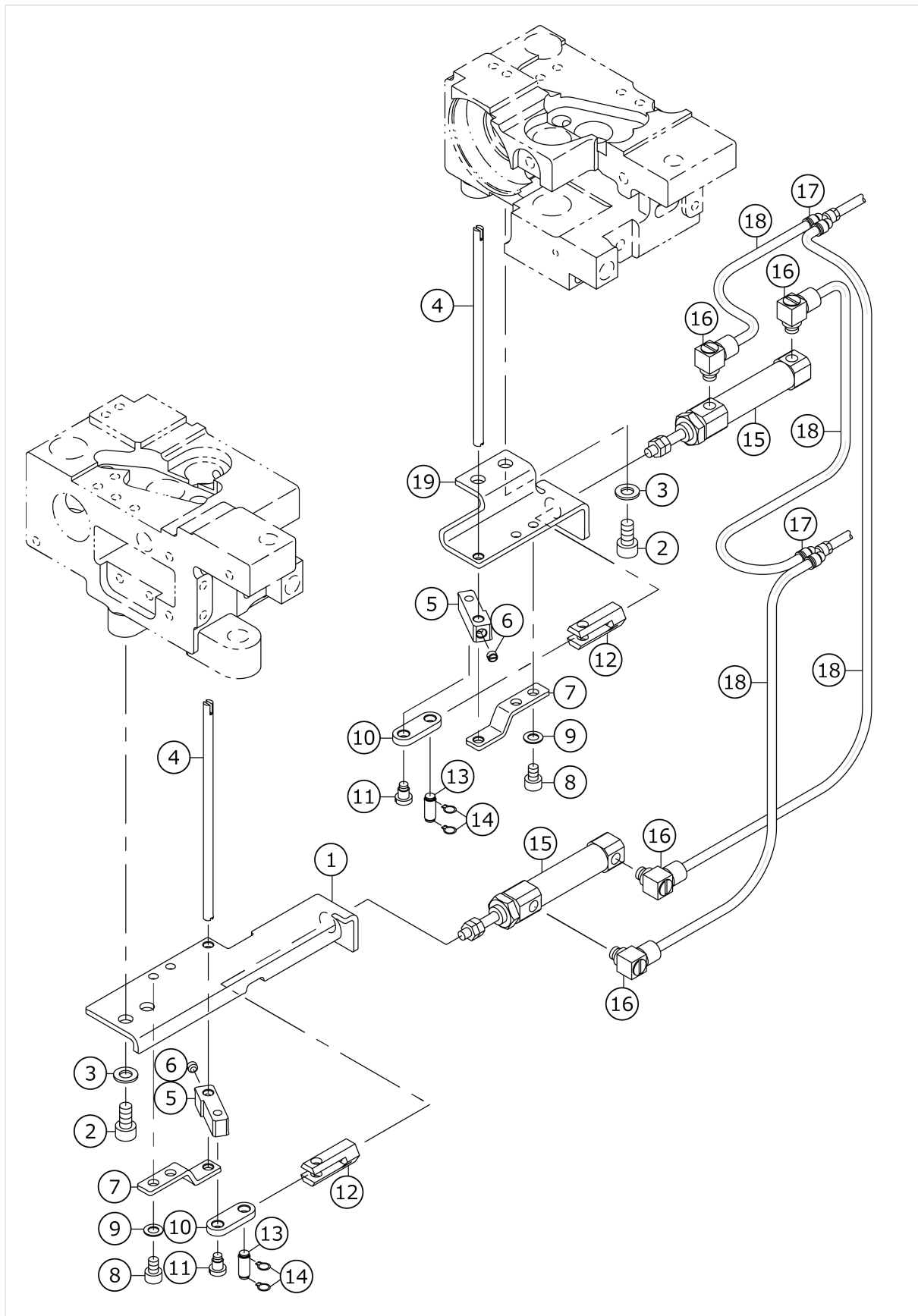
THREAD TENSION & WIPER COMPONENTS



No.	品番	品名	備考	子部品	消耗品	個数
1	40025634	WIPER				1.00
2	40025635	WIPER_CYLINDER_BASE				1.00
3	SL6040892TN	BOLT				2.00
4	PA1002506A0	CYLINDER				1.00
5	PJ304040506	ELBOW UNION				1.00
6	40044963	STOPPER_BOLT				1.00
7	BT0400251EB	URETHANE HOSE, BLACK				3.00
8	BT0400251EB	COMP_THREAD_TENSION_28G				3.00
9	40032708	ASSY_TENSION_BASE_PLATE				1.00
10	40028250	TENSION_BASE_PLATE		*		1.00
11	40028251	THREAD_TENSION_BASE		*		1.00
12	40015697	THREAD_GUIDE_PIN		*		2.00
13	40022463	ASSY_THREAD_TENSION_A		*		1.00
14	40022427	THREAD TENSION NUT		*		2.00
15	22945703	THREAD TENSION SPRING		*		1.00
16	22945505	BOBBIN WINDER TENSION DISC		*		1.00
17	B3214047000	BOBBIN WINDER TENSION DISC		*		1.00
18	22529473	BOBBIN THREAD TENSION ROD ASM.		*		1.00
19	22529408	BOBBIN THREAD GUIDE		*		1.00
20	22529515	BOBBIN THREAD TENSION ROD		*		1.00
21	23626062	THREAD TENSION ASM. ,H		*		2.00
22	23626005	THREAD TENSION NUT		*		1.00
23	22921209	THREAD TENSION POST		*		1.00
24	22921407	ROTATION STOPPER		*		1.00
25	22921506	THREAD TENSION DISK		*		2.00
26	22921605	THREAD TAKE-UP SPRING		*		1.00
27	22921803	DISK STOPPER		*		1.00
28	22945307	THREAD TENSION POST BASE		*		1.00
29	22962005	THREAD TENSION SPRING		*		1.00
30	SS8090670SP	SCREW 9/64-40 L= 5.5		*		1.00
31	B1118512000	THREAD TAKE-UP GUIDE LEVER (A)		*		2.00
32	22811301	THREAD GUIDE(UPPER), RIGHT		*		1.00
33	23203201	TAKE-UP THREAD GUIDE		*		2.00
34	40034660	DISK_RELEASE_PLATE		*		1.00
35	23203300	THREAD GUIDE COLLAR		*		2.00
36	B3118552A00	TENSION RELEASE PIN A		*		1.00
37	B3118552F00	TENSION RELEASING PIN		*		1.00
38	SD0470316TP	SHOULDER SCREW D=4.7 H=3.1		*		3.00
39	SM8050612TP	SCREW M5X6		*		2.00
40	SS5091020SP	SCREW 9/64-40 L= 9.5		*		2.00
41	NS6080210SP	NUT 1/8-44		*		3.00
42	NS6110310SP	NUT 11/64-40		*		2.00
43	40034840	RELEASE_LEVER		*		1.00
44	SS6090520SP	SCREW 9/64-40 L= 5.0		*		1.00
45	40009222	PRESSER PLATE ADJUSTING SPRING		*		1.00
46	WP0350516SD	WASHER 3.5X6X0.5		*		1.00
47	40015699	SPRING_GUIDE		*		1.00
48	SM4050855SP	SCREW				2.00
49	40034974	TENSION_RELEASE_SHAFT				1.00
50	40025636	THREAD_TENSION_CYLINDER_BRACKET				1.00

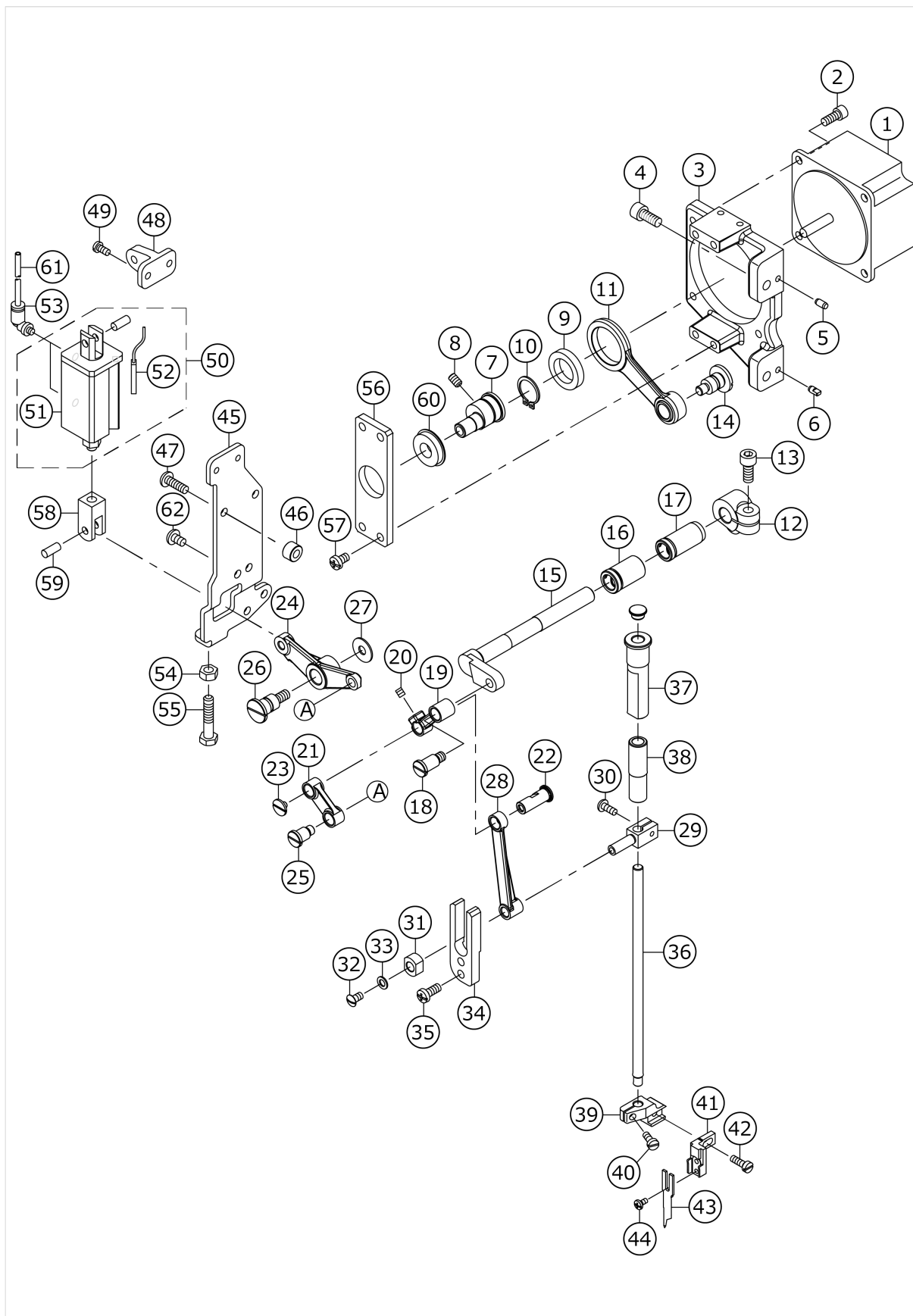
51	SL6040892TN	BOLT				2.00
52	PA1000512A0	AIR CYLINDER				1.00
53	PJ304040506	ELBOW UNION				1.00

LOWER THREAD COMPONENTS



No.	品番	品名	備考	子部品	消耗品	個数
1	40025624	LOWER_KNIFE_BASE_L				1.00
2	SM6051002TP	SCREW M5X0.8 L=10				4.00
3	WP0531000SD	WASHER M5				4.00
4	40025646	LOWER_KNIFE				2.00
5	40025622	KNIFE_LINK_ARM				2.00
6	SM8040360TP	SCREW				2.00
7	40025623	KNIFE_PRESSER_BASE				2.00
8	SM6040602TP	SCREW M4 L=6				2.00
9	WP0450000SD	WASHER 4.5X8X0.5				2.00
10	40033420	LOWER_KNIFE_LINK				2.00
11	SD0450401SP	HINGE SCREW D= 4.5 H= 4				2.00
12	40025661	CYLINDER_JOINT				2.00
13	B3034450000	LINK PIN				2.00
14	B3035450000	SNAP RING				4.00
15	PA1001521A0	AIR CYLINDER				2.00
16	PJ046052503	HOSE ELBOW				4.00
17	PJ308040002	QUICK COUPLING				2.00
18	BT0400251EB	URETHANE HOSE, BLACK				6.00
19	40025625	LOWER_KNIFE_BASE_R				1.00

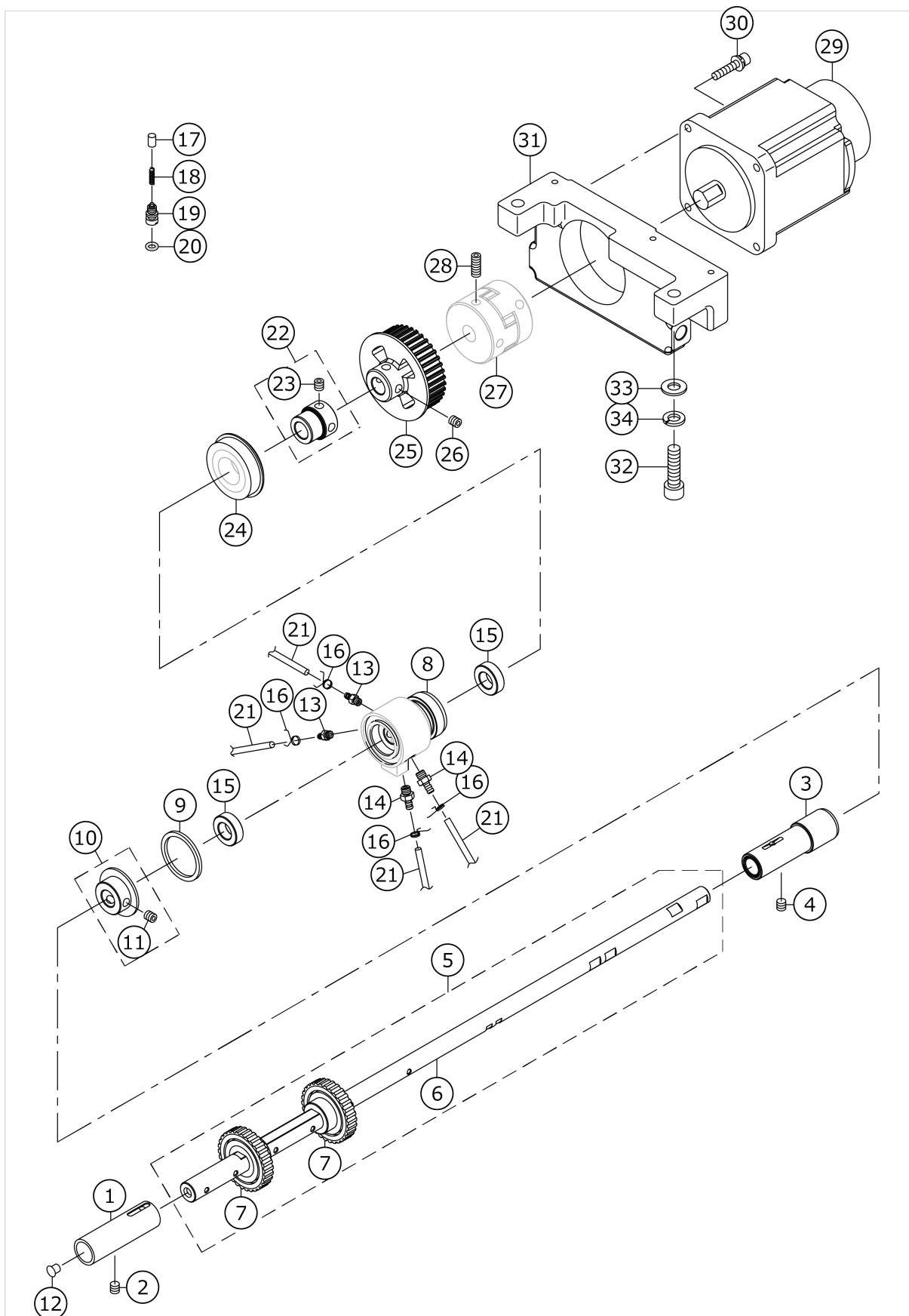
CENTER KNIFE COMPONENTS



No.	品番	品名	備考	子部品	消耗品	個数
1	HM002130000	MOTOR				1.00
2	SM6051202TP	SCREW M5X0.8 L=12				4.00
3	40026167	MOTOR_BASE				1.00
4	SM6061402TP	SCREW M6 L=14				2.00
5	13302500	DOWEL PIN 2				1.00
6	13301908	DOWEL PIN				1.00
7	40023015	KNIFE_MOTOR_CAM				1.00
8	SM8050512TP	SCREW				1.00
9	SB117000800	BEARING				1.00
10	RC1700001KP	RETAINING RING				1.00
11	40023012	ASSY_CENTER_KNIFE_DRIVING_ROD				1.00
12	40026131	KNIFE_MOVING_ARM				1.00
13	SM6061402TP	SCREW M6 L=14				1.00
14	40026113	HINGE_SCREW_A				1.00
15	40026132	KNIFE_MOVING_SHAFT				1.00
16	40026133	KNIFE_MOVING_SHAFT_BUSHING_A				1.00
17	40026134	KNIFE_MOVING_SHAFT_BUSHING_B				1.00
18	40026114	HINGE_SCREW_B				1.00
19	40026126	KNIFE_LINK_A				1.00
20	SM8050612TP	SCREW M5X6				1.00
21	40026127	KNIFE_LINK_B				1.00
22	40026130	KNIFE_LINK_PIN				1.00
23	SM6040460TP	SCREW				1.00
24	40026129	KNIFE_LINK_D				1.00
25	40026115	HINGE_SCREW_C				1.00
26	40026116	HINGE_SCREW_D				1.00
27	40042089	THRUST WASHER				1.00
28	40026128	KNIFE_LINK_C				1.00
29	40069127	KNIFE_BAR_CLAMP				1.00
30	SM4041050TP	SCREW				1.00
31	40026136	SLIDE_BLOCK				1.00
32	SS5110810SP	SCREW 11/64-40 L=8				1.00
33	WP0480856SP	WASHER 4.8X8.4X0.8				1.00
34	40026137	SLIDE_BLOCK_GUIDE				1.00
35	SM4051255SP	SCREW .M5 L=12.				2.00
36	40026118	KNIFE_BAR				1.00
37	40026120	KNIFE_BAR_BUSHING_B				1.00
38	40026119	KNIFE_BAR_BUSHING_A				1.00
39	40026121	KNIFE_BASE_A				1.00
40	SM6041000SP	SCREW M4 L=10				1.00
41	40026122	KNIFE_BASE_B				1.00
42	SM6041200SP	SCREW M4 L=12				1.00
43	40026155	KNIFE_RIGHT_A				1.00
44	SM5030655SN	SCREW M3X0.5 L=6				2.00
45	40026109	CYLINDER_PLATE				1.00
46	40031059	CYLINDER_PLATE_SPACER				2.00
47	SM4051655SP	SCREW M5 L=16				1.00
48	40026111	CYLINDER_BLOCK				1.00
49	SM4040855SP	SCREW				2.00
50	40033538	CENTER_KNIFE_CYLINDER				1.00

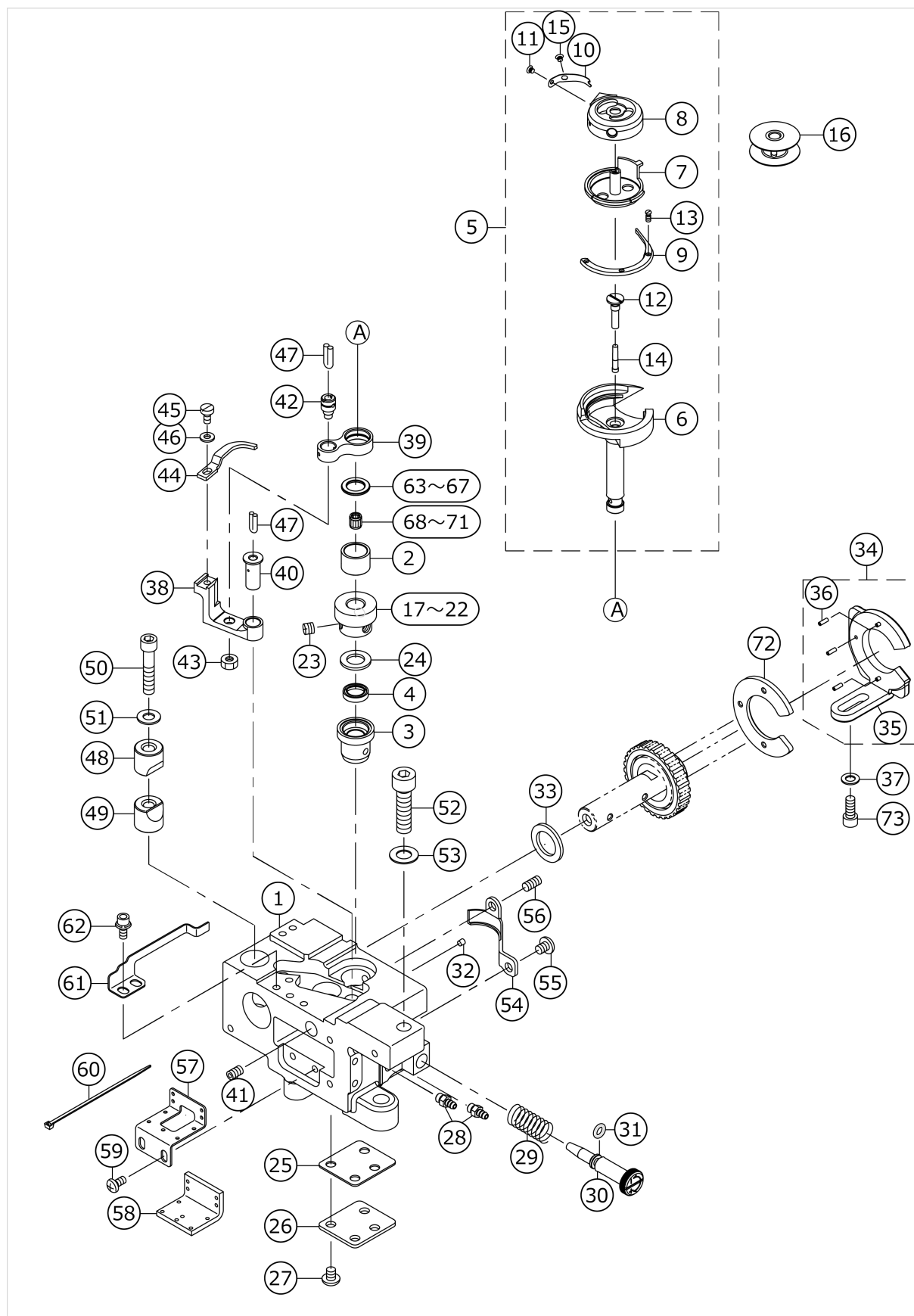
51	PA1602012A0	AIR CYLINDER		*		1.00
52	40044626	AIRCYLINDER SENSOR CN79A		*		1.00
53	PJ304040504	ELBOW UNION				2.00
54	NM6060001SC	NUT M6				1.00
55	SM6063002TP	SCREW M6 L=30				1.00
56	40033464	BEARING_PLATE				1.00
57	SM4050855SP	SCREW				4.00
58	PA900011000	KNUCKLE JOINT FOR CYLINDER				1.00
59	PX5000280A0	PIN				1.00
60	SB110001200	BEARING				1.00
61	BT0400251EB	URETHANE HOSE, BLACK				2.00
62	SM4050855SP	SCREW				5.00

LOWER SHAFT COMPONENTS



No.	品番	品名	備考	子部品	消耗品	個数
1	40020547	LOWER_SHAFT_BUSH-F				1.00
2	SM8060612TP	SCREW M6 L=6				1.00
3	40017576	ASSY-LOWER_SHAFT_BUSH-M				1.00
4	SM8060612TP	SCREW M6 L=6				1.00
5	40062486	ASSY_LOWER_SHAFT				1.00
6	40038858	LOWER_SHAFT_D		*		1.00
7	40062317	LOWER_SHAFT_GEAR		*		2.00
8	40011947	LOWER_PLUNGER_BUSH				1.00
9	40013061	THRUST_WASHER				1.00
10	40031351	ASSY_LOWER_SHAFT_COLLAR				1.00
11	SM8060612TP	SCREW M6 L=6		*		2.00
12	TA0550604R0	RUBBER PLUG				1.00
13	SQ2050453MZ	CONNECTING SCREW				2.00
14	SQ2060451MZ	CONNECTING SCREW				2.00
15	22888507	OIL SEAL				2.00
16	23629306	PIPE STOPPER A				4.00
17	23628803	PLUNGER				2.00
18	23628902	PLUNGER SPRING				2.00
19	40013509	PLUNGER_SCREW				2.00
20	RO048190100	RUBBER RING				2.00
21	23630007	TUBE				1.00
22	40033666	BEARING_SUPPORT_ASM				1.00
23	SM8060612TP	SCREW M6 L=6		*		2.00
24	SB120000200	BEARING 20X42				1.00
25	40028117	LOWER_SPROCKET				1.00
26	SM8060612TP	SCREW M6 L=6				2.00
27	40025613	COUPLING				1.00
28	SM8061612TP	SCREW M6X16				4.00
29	40028015	AC SERVO MOTOR				1.00
30	SL6052592TN	BOLT				4.00
31	40033413	MOTOR_BASE				1.00
32	SM6083002TN	SCREW M8 L=30				2.00
33	WP0841601SC	WASHER 8.4X17.4X1.6				2.00
34	WS0820002KN	SPRING WASHER M8				2.00

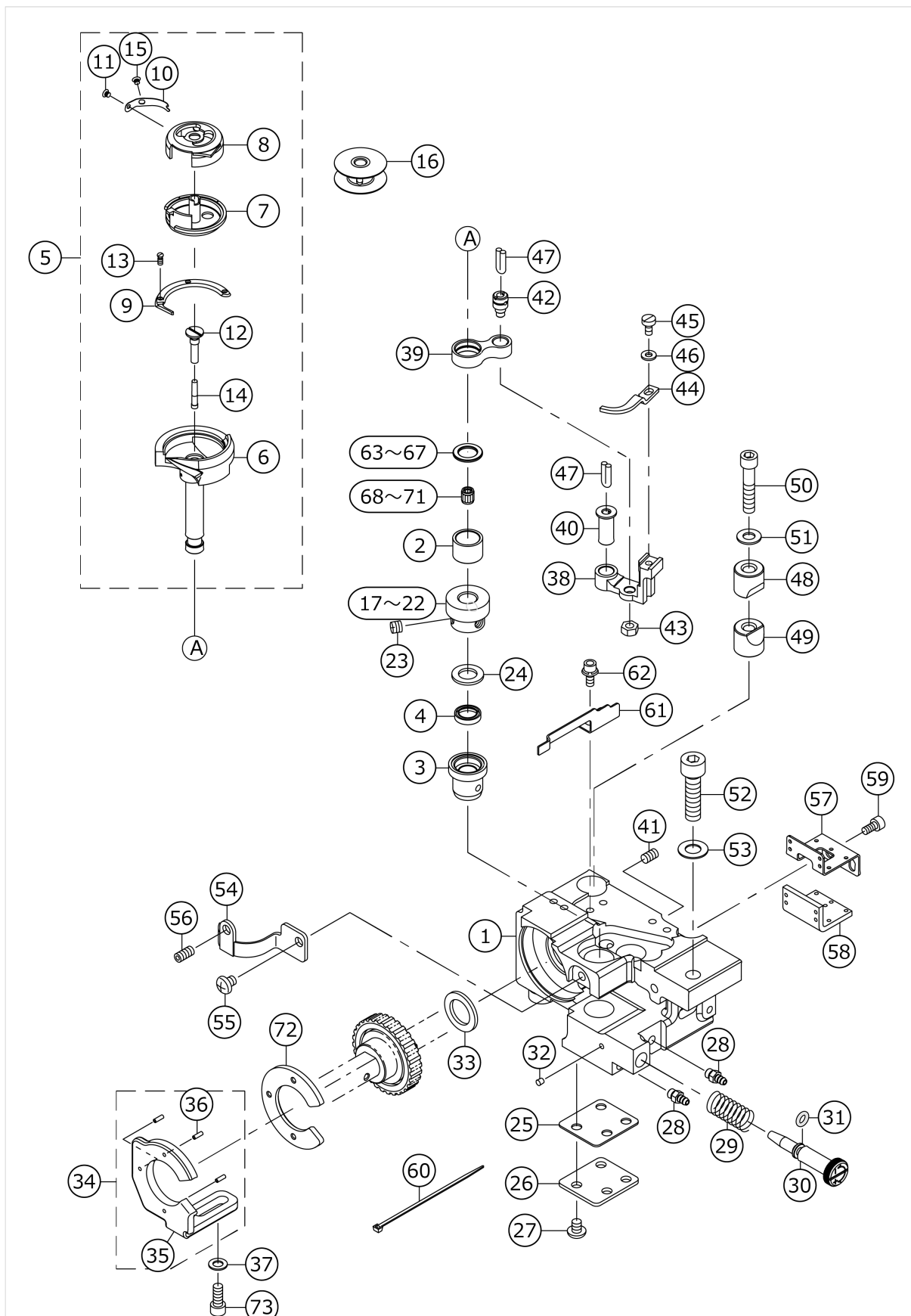
HOOK DRIVING SHAFT LEFT COMPONENTS



No.	品番	品名	備考	子部品	消耗品	個数
1	40025605	LAGE_HOOK_SHAFT_BASE_L				1.00
2	40025660	HOOK_UPPER_BUSH				1.00
3	40025616	HOOK_LOWER_BUSH				1.00
4	B1631850000	OIL SEAL				1.00
5	40039741	ASSY-LARGE_HOOK				1.00
6	40018977	OUTER_HOOK(L)		*		1.00
7	40034303	CAP_INNERHOOK		*		1.00
8	40033433	ASSY_BOBBIN_CASE		*		1.00
9	40018978	HOOK_GIB		*		1.00
10	22827406	SPRING(0.3)		*		1.00
11	10110500	TENSION SPRING INSTALLING SCREW		*		1.00
12	40012085	OIL_PLUG		*		1.00
13	10112803	SCREW		*		3.00
14	11015906	OIL WICK		*		1.00
15	10110609	TENSION ADJUSTING SCREW		*		1.00
16	40066272	ASSY_BOBBIN				1.00
17	40028560	HOOK_SHAFT_GEAR_A	SELECTIVE PARTS			1.00
18	40028561	HOOK_SHAFT_GEAR_B	SELECTIVE PARTS			1.00
19	40028562	HOOK_SHAFT_GEAR_C	SELECTIVE PARTS			1.00
20	40028563	HOOK_SHAFT_GEAR_D	SELECTIVE PARTS			1.00
21	40040549	HOOK_SHAFT_GEAR_E	SELECTIVE PARTS			1.00
22	40040550	HOOK_SHAFT_GEAR_F	SELECTIVE PARTS			1.00
23	SM8060550TP	SCREW M6 L=4.5				3.00
24	B1818051C00	THRUST WASHER				1.00
25	40022589	BOTTOM_COVER				1.00
26	40022590	BOTTOM_COVER_GASKET				1.00
27	SM4050655SP	SCREW M5 L=6				4.00
28	SQ2050453MZ	CONNECTING SCREW				2.00
29	40016748	OIL_ADJUSTING_SCREW				1.00
30	40029570	OIL_ADJUSTING_SPRING				1.00
31	RO044240100	RUBBER RING				1.00
32	TA0290301M0	PLUG				6.00
33	40011009	GEAR_SPACER-A				1.00
34	40025354	ASSY_GEAR HOLDER_L				1.00
35	40025345	GEAR HOLDER_L		*		1.00
36	PS0200062KH	SPRING PIN 2X6		*		3.00
37	WP0550800SP	WASHER 5.5X10X0.8				2.00
38	40043311	OPENER_LEVER_CRANK_L				1.00
39	22813000	BOBBIN CASE OPENING LEVER LINK				1.00
40	B1823051000	OPENING LEVER CRANK PIN				1.00
41	SM8050812TP	SCREW M5X8				1.00
42	B1821051000	CRANK SCREW STUD				1.00
43	NS6110420SP	NUT 11/64-40				1.00
44	40052837	OPENING LEVER				1.00

45	SM67506A0TP	SCREW M3.5 L=6				1.00
46	WP0371016SD	WASHER 3.7X8X1				1.00
47	CQ252000000	OIL WICK				0.05
48	40032310	SADDLE_INSTALLING_BLOCK				1.00
49	40032309	SADDLE_INSTALLING_BLOCK				1.00
50	SS6153012TP	SCREW 15/64-28				1.00
51	WP0621016SD	WASHER 6.2X13X1				1.00
52	SM6083002TP	SCREW M8 L=30				1.00
53	WP0841600SD	WASHER M8				1.00
54	40018526	GEAR_COVER_L				1.00
55	SM4050655SP	SCREW M5 L=6				1.00
56	SM8051002TP	SCREW M5 L=10				1.00
57	40025662	GEAR_COVER_B				1.00
58	40025663	GEAR_FELT				1.00
59	SM4040855SP	SCREW				2.00
60	EA9500B0100	CABLE BAND				10.00
61	40025626	NIPPER_SPRING_L				1.00
62	SL6041092TN	SCREW				2.00
63	10112506	THRUST WASHER 1.6	SELECTIVE PARTS			1.00
64	10111201	THRUST WASHER, F	SELECTIVE PARTS			1.00
65	10109809	THRUST WASHER, B	SELECTIVE PARTS			1.00
66	10112605	THRUST WASHER 1.7	SELECTIVE PARTS			1.00
67	10112704	THRUST WASHER 1.8	SELECTIVE PARTS			1.00
68	SB30953010A	NEEDLE BEARING 9.525X9.52	SELECTIVE PARTS			1.00
69	SB30953010B	NEEDEL BEARING	SELECTIVE PARTS			1.00
70	SB30953010C	NEEDLE BEARING 9.525X9.52	SELECTIVE PARTS			1.00
71	SB30953010D	BEARING	SELECTIVE PARTS			1.00
72	40025353	GEAR_SPACER-B				1.00
73	SM6051202TP	SCREW M5X0.8 L=12				2.00

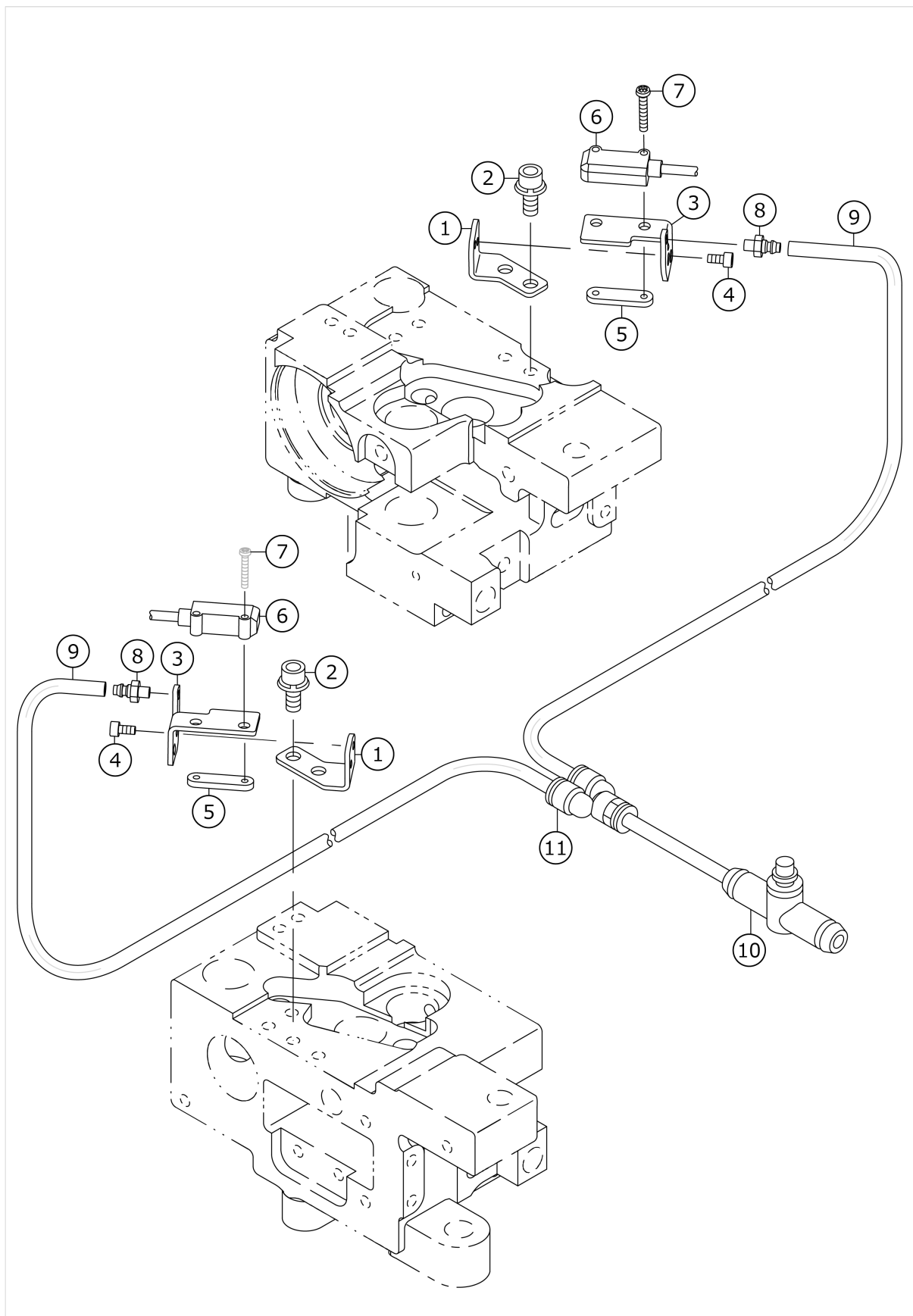
HOOK DRIVING SHAFT RIGHT COMPONENTS



No.	品番	品名	備考	子部品	消耗品	個数
1	40025606	LAGE_HOOK_SHAFT_BASE_R				1.00
2	40025660	HOOK_UPPER_BUSH				1.00
3	40025616	HOOK_LOWER_BUSH				1.00
4	B1631850000	OIL SEAL				1.00
5	40039741	ASSY-LARGE_HOOK				1.00
6	40018977	OUTER_HOOK(L)		*		1.00
7	40034303	CAP_INNERHOOK		*		1.00
8	40033433	ASSY_BOBBIN_CASE		*		1.00
9	40018978	HOOK_GIB		*		1.00
10	22827406	SPRING(0.3)		*		1.00
11	10110500	TENSION SPRING INSTALLING SCREW		*		1.00
12	40012085	OIL_PLUG		*		1.00
13	10112803	SCREW		*		3.00
14	11015906	OIL WICK		*		1.00
15	10110609	TENSION ADJUSTING SCREW		*		1.00
16	40066272	ASSY_BOBBIN				1.00
17	40028560	HOOK_SHAFT_GEAR_A	SELECTIVE PARTS			1.00
18	40028561	HOOK_SHAFT_GEAR_B	SELECTIVE PARTS			1.00
19	40028562	HOOK_SHAFT_GEAR_C	SELECTIVE PARTS			1.00
20	40028563	HOOK_SHAFT_GEAR_D	SELECTIVE PARTS			1.00
21	40040549	HOOK_SHAFT_GEAR_E	SELECTIVE PARTS			1.00
22	40040550	HOOK_SHAFT_GEAR_F	SELECTIVE PARTS			1.00
23	SM8060550TP	SCREW M6 L=4.5				3.00
24	B1818051C00	THRUST WASHER				1.00
25	40022589	BOTTOM_COVER				1.00
26	40022590	BOTTOM_COVER_GASKET				1.00
27	SM4050655SP	SCREW M5 L=6				4.00
28	SQ2050453MZ	CONNECTING SCREW				2.00
29	40016748	OIL_ADJUSTING_SCREW				1.00
30	40029570	OIL_ADJUSTING_SPRING				1.00
31	RO044240100	RUBBER RING				1.00
32	TA0290301M0	PLUG				6.00
33	40011009	GEAR_SPACER_A				1.00
34	40025355	ASSY_GEAR HOLDER_R				1.00
35	40025346	GEAR HOLDER_R		*		1.00
36	PS0200062KH	SPRING PIN 2X6		*		3.00
37	WP0550800SP	WASHER 5.5X10X0.8				2.00
38	40041109	OPENING_LEVER_CRANK_R				1.00
39	22813000	BOBBIN CASE OPENING LEVER LINK				1.00
40	B1823051000	OPENING LEVER CRANK PIN				1.00
41	SM8050812TP	SCREW M5X8				1.00
42	B1821051000	CRANK SCREW STUD				1.00
43	NS6110420SP	NUT 11/64-40				1.00
44	40052837	OPENING LEVER				1.00

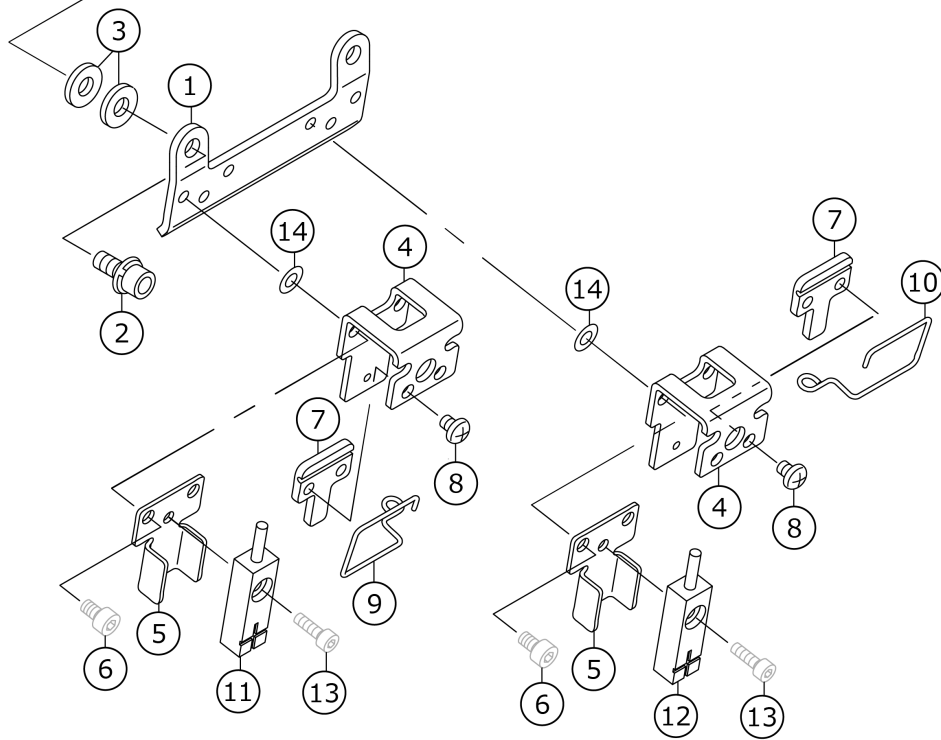
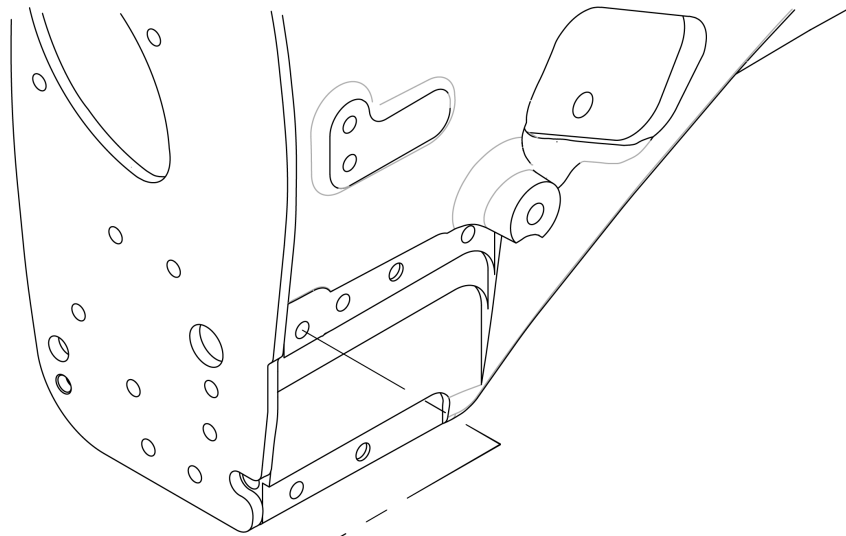
45	SM67506A0TP	SCREW M3.5 L=6				1.00
46	WP0371016SD	WASHER 3.7X8X1				1.00
47	CQ252000000	OIL WICK				0.05
48	10109908	SADDLE INSTALLING BLOCK, UPPER				1.00
49	10112407	SADDLE INSTALLING BLOCK, LOWER				1.00
50	SS6153012TP	SCREW 15/64-28				1.00
51	WP0621016SD	WASHER 6.2X13X1				1.00
52	SM6083002TP	SCREW M8 L=30				1.00
53	WP0841600SD	WASHER M8				1.00
54	40018527	GEAR_COVER-R				1.00
55	SM4050655SP	SCREW M5 L=6				1.00
56	SM8051002TP	SCREW M5 L=10				1.00
57	40025662	GEAR_COVER_B				1.00
58	40025663	GEAR_FELT				1.00
59	SM6040802TP	SCREW M4X0.7 L=8				2.00
60	EA9500B0100	CABLE BAND				10.00
61	40025627	NIPPER_SPRING_R				1.00
62	SL6041092TN	SCREW				2.00
63	10112506	THRUST WASHER 1.6	SELECTIVE PARTS			1.00
64	10111201	THRUST WASHER, F	SELECTIVE PARTS			1.00
65	10109809	THRUST WASHER, B	SELECTIVE PARTS			1.00
66	10112605	THRUST WASHER 1.7	SELECTIVE PARTS			1.00
67	10112704	THRUST WASHER 1.8	SELECTIVE PARTS			1.00
68	SB30953010A	NEEDLE BEARING 9.525X9.52	SELECTIVE PARTS			1.00
69	SB30953010B	NEEDEL BEARING	SELECTIVE PARTS			1.00
70	SB30953010C	NEEDLE BEARING 9.525X9.52	SELECTIVE PARTS			1.00
71	SB30953010D	BEARING	SELECTIVE PARTS			1.00
72	40025353	GEAR_SPACER_B				1.00
73	SM6051202TP	SCREW M5X0.8 L=12				2.00

BOBBIN THREAD DETECTING COMPONENTS



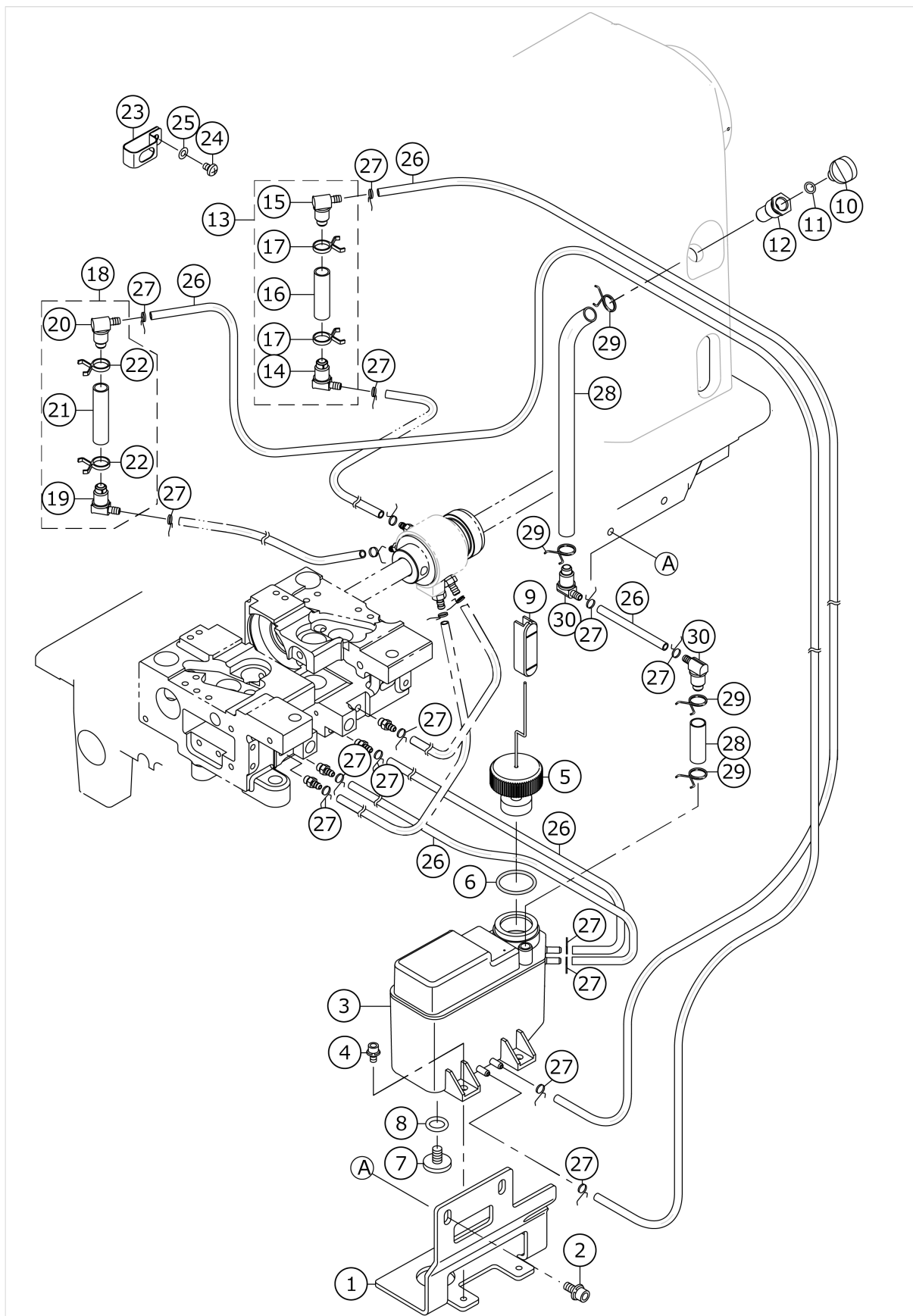
No.	品番	品名	備考	子部品	消耗品	個数
1	40025657	FIBER_BRACKET				2.00
2	SL6041092TN	SCREW				2.00
3	40033505	FIBER_BRACKET_B				2.00
4	SM6850502TN	SCREW M2.5 L=5				2.00
5	40033508	FIBER_BRACKET_C				2.00
6	40078663	BOBIN SENSOR N ASSY				1.00
7	SM4021201SC	SCREW M2 L=12				4.00
8	PJ032039001	CONNECTOR				2.00
9	BT0400251EB	URETHANE HOSE, BLACK				6.00
10	PC012406000	SPEED CONTROLLER				1.00
11	PJ308040002	QUICK COUPLING				1.00

THREAD DETECTING COMPONENTS



No.	品番	品名	備考	子部品	消耗品	個数
1	40025631	DETECTING_BASE				1.00
2	SL6041092TN	SCREW				2.00
3	40043312	DETECTING_SPACER				4.00
4	40025632	SENSOR_BASE				2.00
5	40025633	SENSOR_GARDE				2.00
6	SM6030602TP	SCREW M3X0.5 L=6				4.00
7	40077597	DETECTING_BAR_GUIDE				2.00
8	SM4030455SP	SCREW				4.00
9	40077595	DETECTING_BAR_L				1.00
10	40077596	DETECTING_BAR_R				1.00
11	40043997	THREAD CHECK SENSOR ASM(L)				1.00
12	40043996	THREAD CHECK SENSOR ASM(R)				1.00
13	SM6850802TN	SCREW M2.5 L=8				2.00
14	WP0320500SC	WASHER M3				1.00

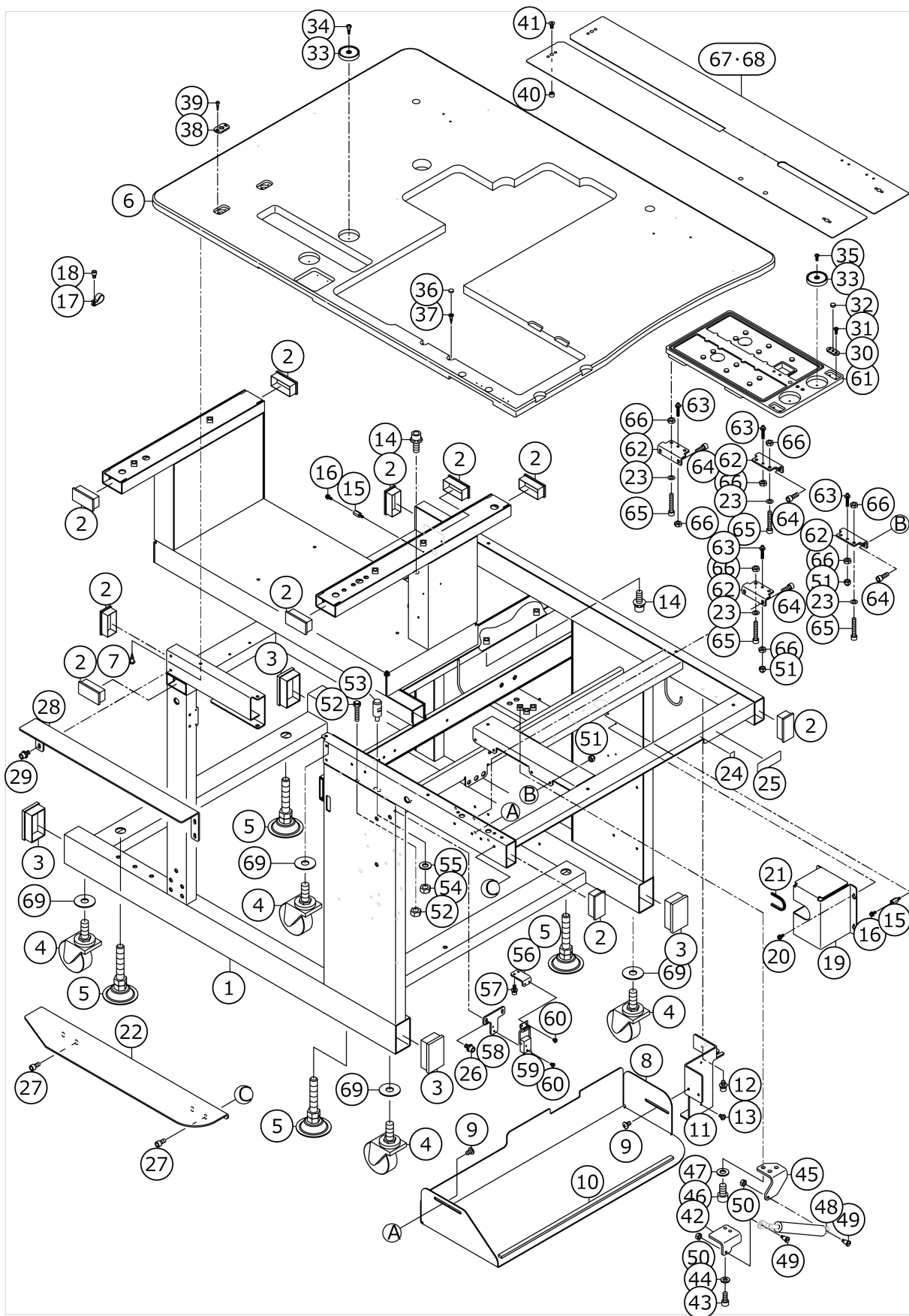
LUBRICATION COMPONENTS



No.	品番	品名	備考	子部品	消耗品	個数
1	40033445	OIL_TANK_BASE				1.00
2	SL6051292TN	BOLT				2.00
3	40034926	OIL_TANK_ASM.				1.00
4	SL6040892TN	BOLT				2.00
5	40044679	ASSY_FLOTER				1.00
6	RO219200100	O-RING				1.00
7	40028689	SCREW				1.00
8	RO098240100	RUBBER RING				1.00
9	40036167	OIL_GAGE				1.00
10	40000344	LUBRICATING INLET CAP				1.00
11	RO048190100	RUBBER RING				1.00
12	40029075	LUBRICATING_INLET				1.00
13	40042287	ASSY_OIL_FILTER_R				1.00
14	23630650	OIL_FILTER_JOINT_ASM.		*		1.00
15	23630601	OIL FILTER JOINT		*		1.00
16	23630106	TUBE B		*		0.04
17	23629405	PIPE STOPPER B		*		2.00
18	40042286	ASSY_OIL_FILTER_L				1.00
19	23630650	OIL_FILTER_JOINT_ASM.		*		1.00
20	23630601	OIL FILTER JOINT		*		1.00
21	23630106	TUBE B		*		0.05
22	23629405	PIPE STOPPER B		*		2.00
23	40016749	TUBE HOLDER				1.00
24	SM4040655SP	SCREW M4 L=6				1.00
25	WP0430800SD	WASHER M4				1.00
26	23630007	TUBE				3.00
27	23629306	PIPE STOPPER A				14.00
28	23630106	TUBE B				1.00
29	23629405	PIPE STOPPER B				4.00
30	23630601	OIL FILTER JOINT				2.00

No.	品番	品名	備考	子部品	消耗品	個数
1	40044470	MARKING LIGHT MOTOR				1.00
2	SL4031291SC	SCREW M3X12				4.00
3	40033448	PULSE_MOTOR_BASE				1.00
4	SM6061202TP	SCREW M6 L=12				2.00
5	40033469	BACK_TACK_BEARING_PLATE				1.00
6	SM4041255SP	SCREW M4 L=12				4.00
7	SB105002000	BEARING				1.00
8	WP0510516SD	WASHER 5.1X7.5X0.5				2.00
9	13302500	DOWEL PIN 2				1.00
10	13301908	DOWEL PIN				1.00
11	40031053	BACK_TUCK_CAM				1.00
12	SM8040612TP	SCREW M4 L=6				2.00
13	40031052	BACK_TUCK_LINK				1.00
14	SB110002100	BEARING				1.00
15	40026143	BACK_FEED_ARM				1.00
16	22572002	DRIVING PIN, A	SELECTIVE PARTS			1.00
17	22572101	DRIVING PIN, B	SELECTIVE PARTS			1.00
18	22572200	DRIVING PIN, C	SELECTIVE PARTS			1.00
19	22572309	DRIVING PIN, D	SELECTIVE PARTS			1.00
20	SM8050612TP	SCREW M5X6				2.00
21	SM6061402TP	SCREW M6 L=14				1.00
22	HD00057000A	PHOTO SENSOR				1.00
23	40031055	PHOTO_SENSOR_PLATE				1.00
24	SM4040655SP	SCREW M4 L=6				2.00
25	40031056	SENSOR_SLIT_ASM				1.00
26	SM8030412TP	SCREW				2.00
27	SL4031091SC	SCREW M3 X 10				1.00
28	WP0450000SD	WASHER 4.5X8X0.5				4.00

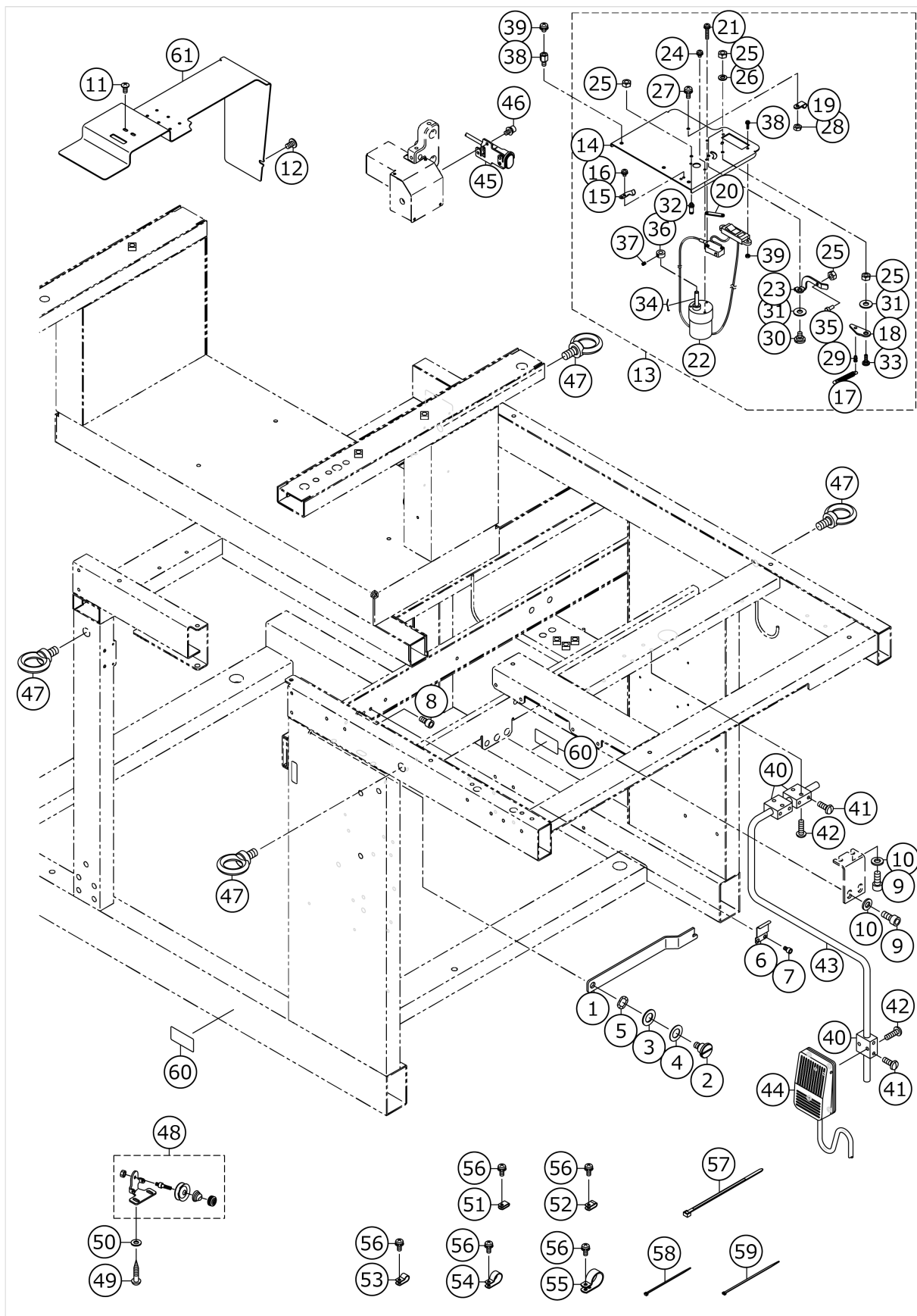
FRAME & COVER COMPONENTS (1)



No.	品番	品名	備考	子部品	消耗品	個数
1	40023188	FRAME				1.00
2	40035075	CAP				10.00
3	40042653	CAP_LARGE				4.00
4	G5032164000	CASTER				4.00
5	40035074	ADJUST_BOLT				4.00
6	40026350	MAIN_TABLE				1.00
7	SK3451601SE	WOOD SCREW D=4.5 L=16				13.00
8	40026619	BOX_PLATE				1.00
9	SM0050801SC	SCREW M5 L=8				4.00
10	40033803	BOX_PLATE_RUBBER				1.00
11	40033789	MAIN_SWITCH_BRACKET				1.00
12	SL6051092TN	BOLT				2.00
13	SM4040655SN	SCREW M4X0.7 L=6				2.00
14	SL6082092TN	BOLT				3.00
15	HX00056000B	SPACER				8.00
16	SL4030891SC	SCREW M3X8				8.00
17	HX00150000H	CABLE CLIP				7.00
18	SM6040602TN	BOLT				7.00
19	40039168	INT_COVER				1.00
20	SL4030891SC	SCREW M3X8				4.00
21	EA9002B1100	BUSHING L				0.13
22	40077661	SUB_TABLE				1.00
23	WP0531000SC	WASHER 5.3X10X1				8.00
24	CM600100101	WEEE MARK LABEL S				1.00
25	CM500100001	CE MARKING LABEL				1.00
26	SL6051092TN	BOLT				2.00
27	SM6051002TN	BOLT				4.00
28	40034007	STACKER_FLAT_PLATE				1.00
29	SL6051092TN	BOLT				4.00
30	40026351	PIVOT_PLATE_A				2.00
31	SM4030801SN	SCREW M3 L=8				4.00
32	40026355	POSITION_PIN				2.00
33	40035100	MAGNET				4.00
34	SK3381301SE	WOOD SCREW D=3.8 L=13				2.00
35	SM4030801SN	SCREW M3 L=8				2.00
36	E3160750000	BU MAGNET				2.00
37	SK1351601SE	WOOD SCREW D=3.5 L=16				2.00
38	40026353	PIVOT_PLATE_C				2.00
39	SK3271301SE	WOOD SCREW D=2.7 L=13				4.00
40	40026354	POSITION_BOSS				2.00
41	SM1040801SC	SCREW M4X0.7 L=8				2.00
42	40023186	GAS_SPRING_BRACKET_A				1.00
43	SM6061402TN	BOLT				2.00
44	WP0641601SC	WASHER M6				2.00
45	40023182	GAS_SPRING_BRACKET_B				1.00
46	SM6081602TN	BOLT M8 L=16				3.00
47	WP0841601SC	WASHER 8.4X17.4X1.6				3.00
48	40023177	GAS_SPRING_A				1.00
49	SD0801006TP	SHOULDER SCREW D8 H10				2.00
50	NM6050001SE	NUT M5				2.00

51	NM7050032SC	NUT M5				4.00
52	G6206875000	STOPPER BOLT				2.00
53	40023181	HEAD_GUIDE_PIN				1.00
54	NM6080001SE	NUT M8				1.00
55	WP0841601SC	WASHER 8.4X17.4X1.6				1.00
56	40023183	CLIP_BRACKET_A				1.00
57	SL6041092TN	SCREW				2.00
58	40023185	CLIP_BRACKET_B				1.00
59	40026872	CATCH_CLIP_A				1.00
60	SM4030455SN	SCREW				4.00
61	40033778	SUCTION_BOX				1.00
62	40034474	SUCTION_BOX_BRACKET				4.00
63	40034475	SUCTION_BOX_ADJUST_BOLT				4.00
64	SM6051402TN	HEXAGONAL-HOLE BOLT M5 L=14				8.00
65	SM6053052TN	SCREW M5 L=30				8.00
66	NM6050001SP	NUT M5				12.00
67	40026357	SEWNING_TABLE_UNIT_8_14	SELECTIVE PARTS			1.00
68	40027366	SEWNING_TABLE_UNIT_16_20	SELECTIVE PARTS			1.00
69	40101624	WASHER				4.00

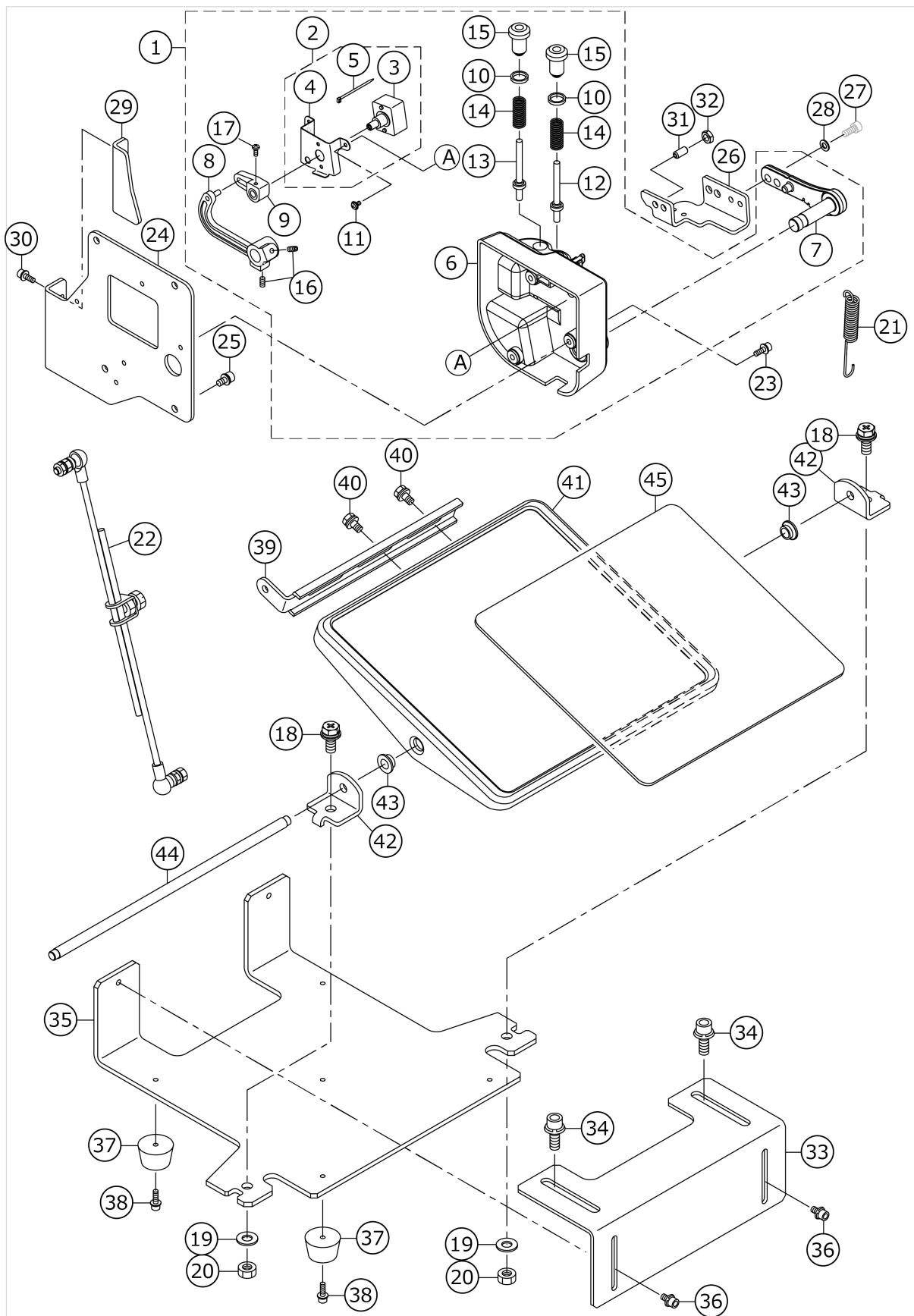
FRAME & COVER COMPONENTS (2)



No.	品番	品名	備考	子部品	消耗品	個数
1	40025638	ROCK_BAR				1.00
2	SD1000646TP	SHOULDER SCREW D10 H6.4				1.00
3	WP1021016SD	WASHER 10.2X18X1				1.00
4	WP1020616SD	WASHER				1.00
5	WZ1052010KP	WAVED WASHER 10.5X14.5X0.3				2.00
6	40025639	ROCK_BAR_SUPPORT_PLATE				1.00
7	SM6050802TN	BOLT				2.00
8	SM6051002TN	BOLT				1.00
9	SM6061402TN	BOLT				4.00
10	WP0641601SC	WASHER M6				4.00
11	SM0040801SC	SCREW M4 L=8				2.00
12	SM0050801SC	SCREW M5 L=8				1.00
13	40059868	BOBBIN_WINDER_ASSY				1.00
14	40059867	MOTOR_COVER		*		1.00
15	10502300	THREAD CUTTER		*		1.00
16	SL4030591SC	SCREW M3X5		*		1.00
17	B3041980000	SPRING		*		1.00
18	13889704	SWITCH PUSHING PLATE		*		1.00
19	HX001230000	CABLE CLIP		*		1.00
20	11102308	MICRO SWITCH PLATE		*		1.00
21	SL4031681SC	SCREW M3 X 16		*		2.00
22	40059866	MOTOR ASSY B		*		1.00
23	13870605	BOBBIN GUIDE		*		1.00
24	SL4030591SC	SCREW M3X5		*		3.00
25	NS6110420SP	NUT 11/64-40		*		5.00
26	WS0451040KP	SPRING WASHER 4.5X8.5X1		*		2.00
27	SL4041081SC	SCREW M4 L=10		*		1.00
28	NM6040001SC	NUT M4		*		1.00
29	B1110280000	THREAD CUTTING LINK SPRING RAC		*		1.00
30	SD0720221SP	HINGE SCREW D= 7.24 H= 2.2		*		1.00
31	WP0551016SH	WASHER 5.5X13X1		*		2.00
32	B3413227000A	SPRING SUSPENSION		*		1.00
33	SD0720222TP	HINGE SCREW D=7.24 H=2.2		*		1.00
34	B3212761000	LATCH SPRING		*		1.00
35	B3208280000	BOBBIN WINDER ADJUSTING SCREW		*		1.00
36	CS0640611SP	THRUST HOLDER		*		1.00
37	SS8090530TP	SCREW 9/64-40 L= 5.0		*		1.00
38	HX00339000E	SPACER				3.00
39	SL4040691SC	SCREW M4 L=6				3.00
40	40034447	NEE_SWITCH_BASE				3.00
41	SM5051400SC	SCREW M5 L=14				6.00
42	SM4051655SP	SCREW M5 L=16				6.00
43	40034450	SWITCH_SHAFT				1.00
44	40026945	NEE_SWITCH_ASSY				1.00
45	32002354	SWITCH ASM.				1.00
46	SL6040892TN	BOLT				2.00
47	G5039171000	EYE BOLT M12				4.00
48	B32217710A0	BOBBIN WINDER TENSION BRACKET				1.00
49	SK3412001SC	WOOD SCREW D=4.1 L=20				2.00
50	WP0501016SC	WASHER 5X10.5X1				2.00

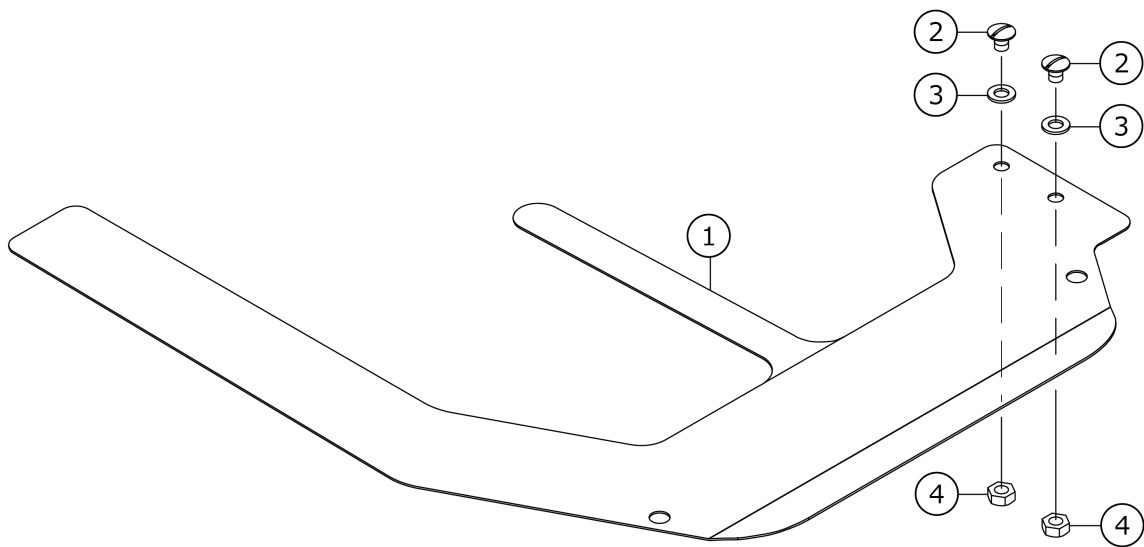
51	HX001500000	CLIP				3.00
52	HX00150000A	CABLE CLAMP				5.00
53	HX00150000C	CABLE CLIP				6.00
54	HX00150000H	CABLE CLIP				6.00
55	HX00150000M	CABLE CLIP				1.00
56	SL4041091SC	SCREW M4 L=10				21.00
57	HX00065000A	CABLE CLIP				3.00
58	EA9500B0100	CABLE BAND				40.00
59	EA9500B0200	CABLE BAND 150				20.00
60	16870206	GRAVITY SEAL				2.00
61	40034449	ARM_COVER				1.00

PEDAL SWITCH COMPONENTS



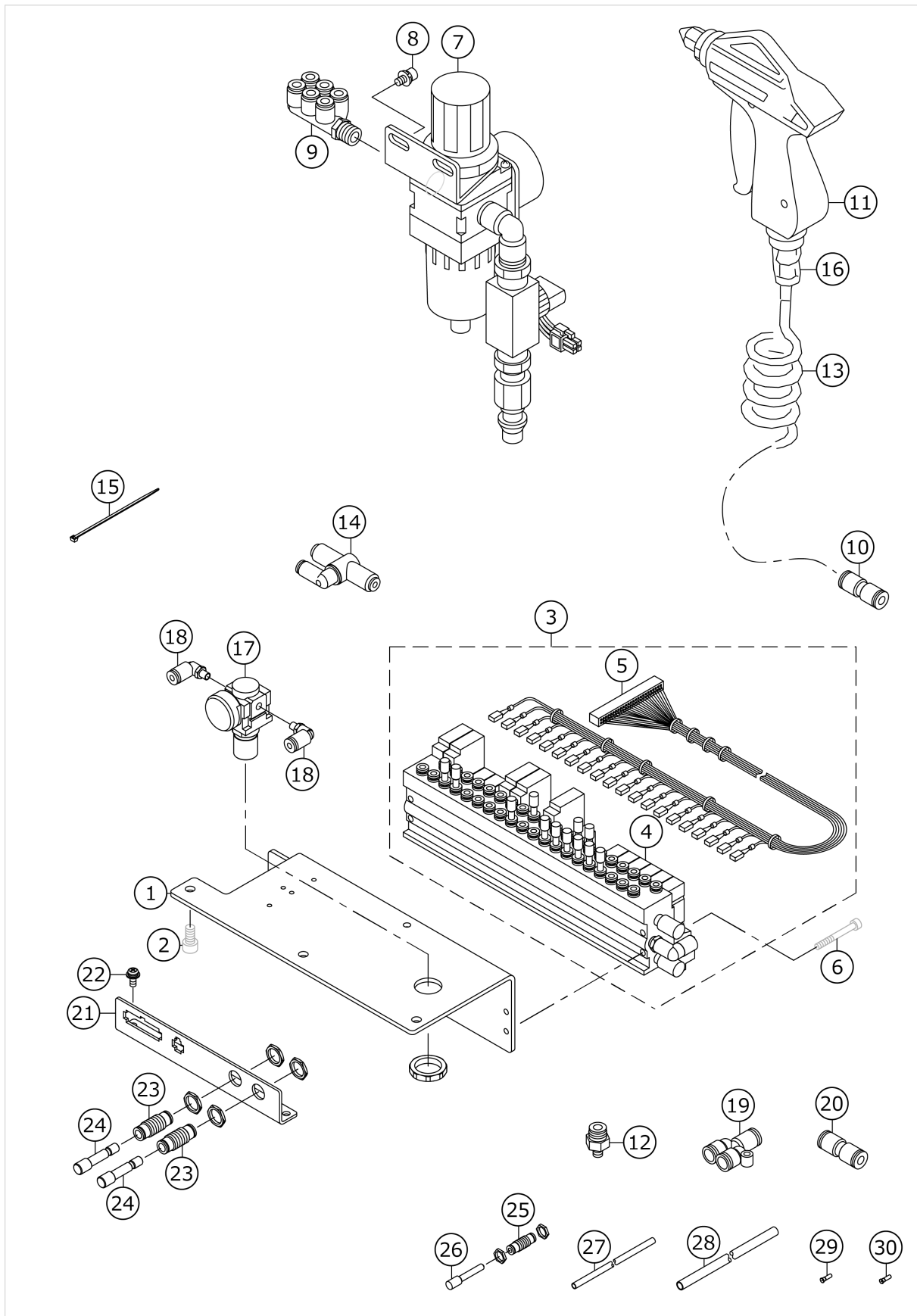
No.	品番	品名	備考	子部品	消耗品	個数
1	40006128	PEDAL SENSOR B ASM.				1.00
2	40006135	SENSOR HOLDING A PLATE ASM.		*		1.00
3	40006136	SENSOR A ASM.		*		1.00
4	40006206	SENSOR_INSTALLING_PLATE		*		1.00
5	EA9500B0100	CABLE BAND		*		1.00
6	40006104	PEDAL_SENSOR_BASE		*		1.00
7	40006112	PEDAL_LEVER		*		1.00
8	40006204	PEDAL_LINK		*		1.00
9	40006205	VOLUME_LINK		*		1.00
10	40006202	ADJUST_NUT		*		2.00
11	SV4030601SN	SCREW M3 L=6		*		2.00
12	40006208	SPRING_SHAFT_A		*		1.00
13	40006209	SPRING_SHAFT_B		*		1.00
14	40006211	SPRING_B		*		2.00
15	40006212	ADJUST_SCREW		*		2.00
16	SM8040802TP	SCREW M4X8		*		2.00
17	SM4030801SC	SCREW M3 X 8		*		1.00
18	SL9082091SE	WASHER HEXAGONAL BOLT				2.00
19	WP0871602SE	WASHER 8.7X18X1.6				2.00
20	NM6080001SE	NUT M8				2.00
21	40038661	FRONT_SPRING_C				1.00
22	22958458	CONNECTING ROD ASM. B				1.00
23	SL6041292TN	SCREW				3.00
24	40034455	PEDAL_BASE_A				1.00
25	SL6051092TN	BOLT				4.00
26	40034456	PEDAL_LEVER_BRACKET				1.00
27	SM6051202TN	SCREW M5X0.8 L=12				2.00
28	WP0531000SC	WASHER 5.3X10X1				2.00
29	40034457	PEDAL_LEVER_SPPORT_GUIDE				1.00
30	SL6041292TN	SCREW				2.00
31	40050259	PLUNGER				1.00
32	NM6060001SC	NUT M6				1.00
33	40034453	PEDAL_STAY_A				1.00
34	SL6082092TN	BOLT				2.00
35	40034454	PEDAL_STAY_B				1.00
36	SL6051092TN	BOLT				2.00
37	G5018136000	RUBBER LEGS RUBBER STUD				5.00
38	SL6041492TN	SCREW				5.00
39	11158706	PEDAL ADJUSTING PLATE				1.00
40	SL9061291SE	WASHER HEXAGONAL BOLT M6 L=12				2.00
41	11158805	PEDAL				1.00
42	11159001	PEDAL SHAFT BRACKET				2.00
43	D8113555B00	PEDAL BUSHING				2.00
44	D8115555B00	PEDAL SHAFT				1.00
45	11158904	PEDAL MAT				1.00

POCKET BAG CLAMP COMPONENTS



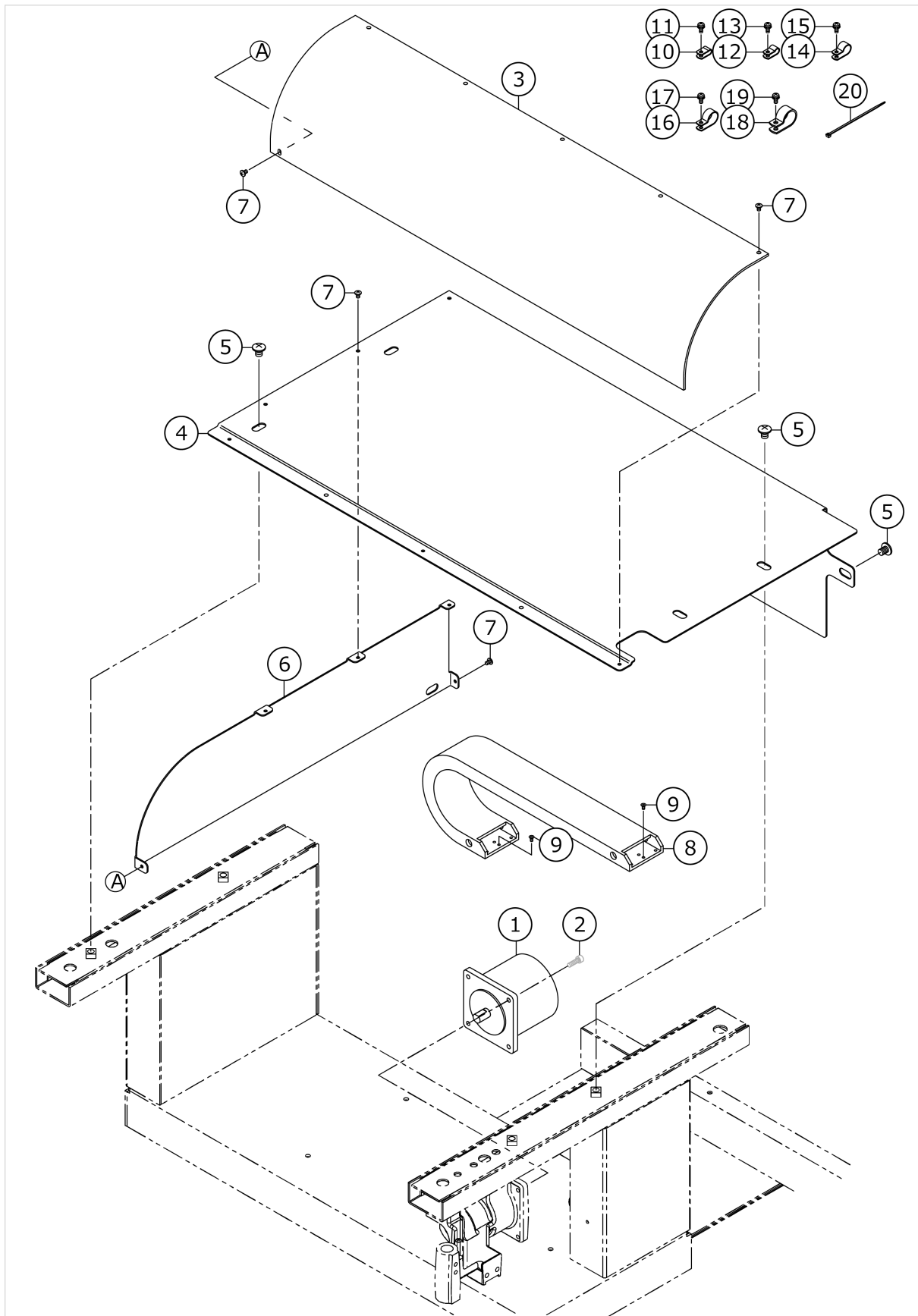
No.	品番	品名	備考	子部品	消耗品	個数
1	40034441	POCKET_BAG_CLAMP				1.00
2	SM5040550TP	SCREW M4 L=5				2.00
3	WP0430800SD	WASHER M4				2.00
4	NM6040000SN	NUT M4				2.00

AIR EQUIPMENT COMPONENTS



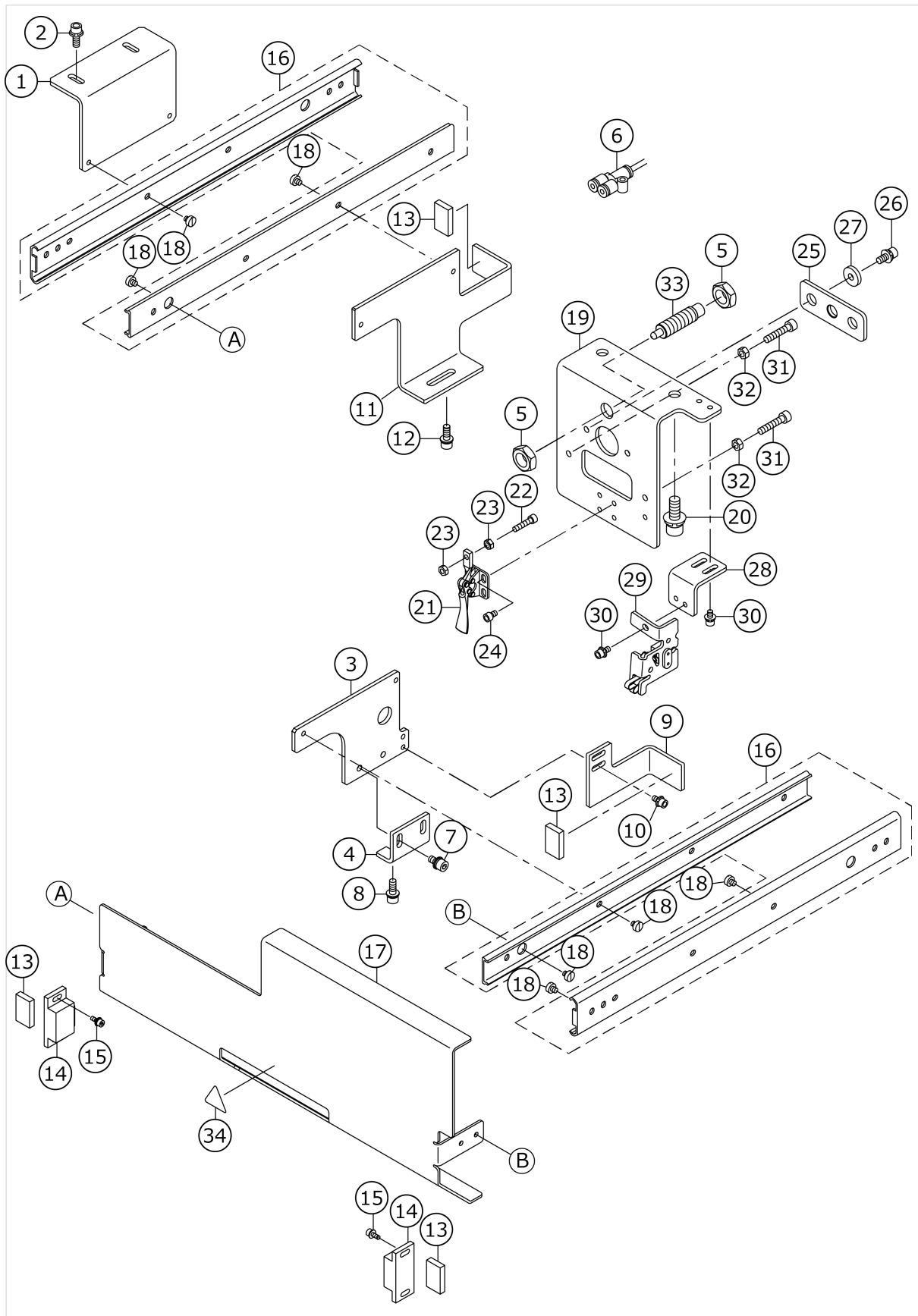
No.	品番	品名	備考	子部品	消耗品	個数
1	40026348	MANIFOLD_VALVE_BASE				1.00
2	SM6061202TN	BOLT				3.00
3	40044842	MANIFOLD_ASSY				1.00
4	40035097	MANIFOLD_VALVE_ASSY		*		1.00
5	40035098	AIR SORENOID VALVE CORD		*		1.00
6	SM6043552TN	SCREW M4 L=35				4.00
7	G56042540A0	FILTER REGULATER ASM.				1.00
8	SL6051092TN	BOLT				2.00
9	PJ309065201	TRIPLE BRANCH UNIVERSAL ELBOW				1.00
10	PJ303060001	STRAIGHT UNION				1.00
11	40044823	AIR_GUN				1.00
12	PJ301065103	HALF UNION 6XPT1/8				1.00
13	G5458116000	CURLED TUBE				1.00
14	PV200202000	SHUTTLE VALVE				1.00
15	EA9500B0100	CABLE BAND				20.00
16	PJ301065201	HALF UNION 6XPT1/4				1.00
17	PF0205010C0	AIR REGULATOR				1.00
18	PJ304040504	ELBOW UNION				2.00
19	PJ308060003	Y UNION				5.00
20	PJ303060001	STRAIGHT UNION				1.00
21	40034464	PLUG_BRACKET				1.00
22	SL4041091SC	SCREW M4 L=10				3.00
23	PJ230006200	UNION				6.00
24	PX950001000	PLUG				7.00
25	PJ230004200	UNION				1.00
26	PX500014000	PLUG				1.00
27	BT0400251EB	URETHANE HOSE, BLACK				50.00
28	BT0600400EC	TUBE HOSE, BLUE				50.00
29	PC022403E00	INSERT RING				5.00
30	PC022403F00	INSERT RING				4.00

CLAMP FOOT COMPONENTS



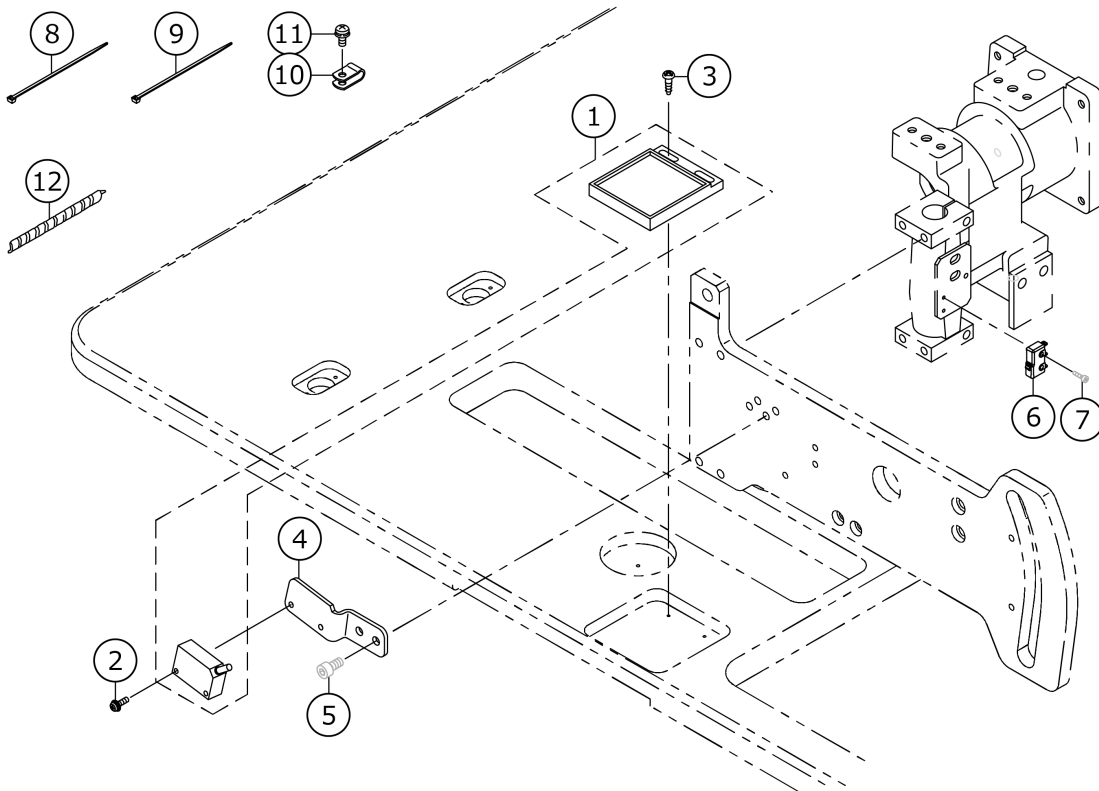
No.	品番	品名	備考	子部品	消耗品	個数
1	40044472	BIG PRESSER MOTOR				1.00
2	SM6051602TN	BOLT				4.00
3	40026618	CLAMP_FOOT_COVER				1.00
4	40034445	CLAMP_FOOT_PLATE_A				1.00
5	SM0081001SC	SCREW M8 L=10				6.00
6	40034446	CLAMP_FOOT_PLATE_B				1.00
7	SM0040601SC	SCREW M4X0.7 L=6				10.00
8	40035104	CABLE_BEARER				1.00
9	SM1030601SC	SCREW M3 L=6				8.00
10	HX00150000A	CABLE CLAMP				5.00
11	SL4041091SC	SCREW M4 L=10				5.00
12	HX00150000B	CABLE CLIP				4.00
13	SL4041091SC	SCREW M4 L=10				4.00
14	HX00150000E	CORD PRESSER 3-POLE (220/240V)				2.00
15	SL4041091SC	SCREW M4 L=10				2.00
16	HX00150000H	CABLE CLIP				1.00
17	SL4041091SC	SCREW M4 L=10				1.00
18	HX00150000K	CABLE CLIP				1.00
19	SL4041091SC	SCREW M4 L=10				1.00
20	EA9500B0100	CABLE BAND				20.00

CORNER KNIFE COMPONENTS



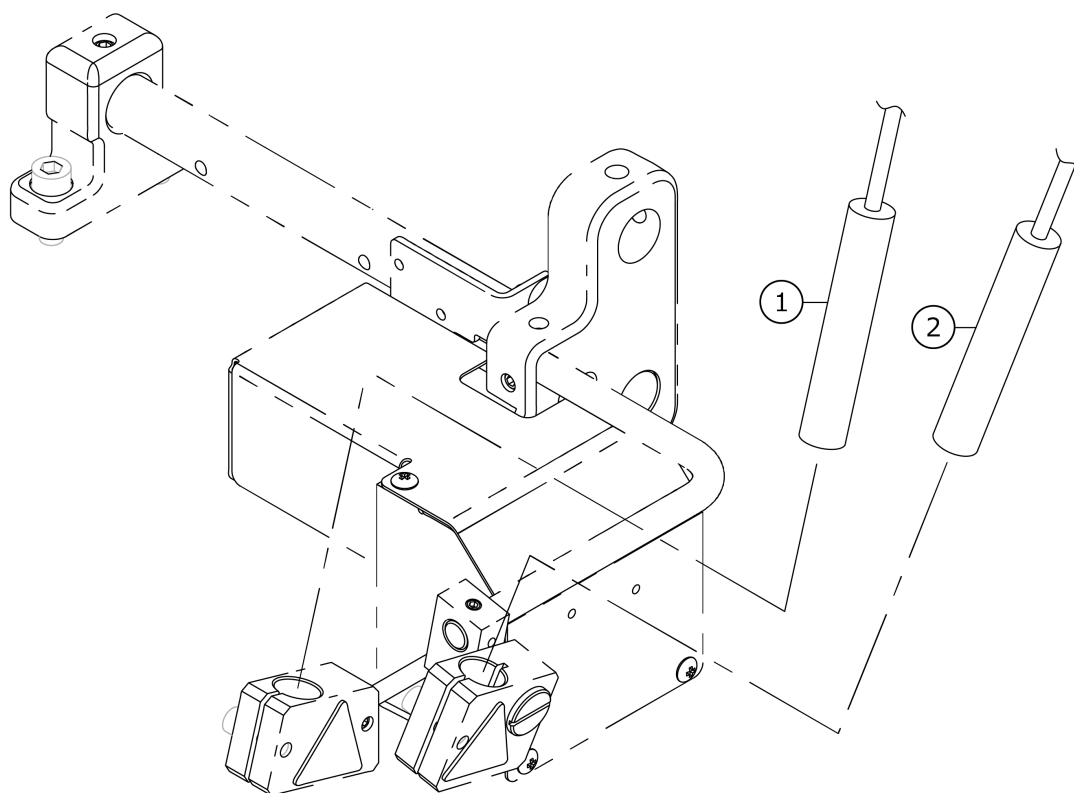
No.	品番	品名	備考	子部品	消耗品	個数
1	40023191	SLIDE_BASE_A				1.00
2	SL6051492TN	BOLT				2.00
3	40023189	SLIDE_BRACKET_A				1.00
4	40023176	SLIDE_BRACKET_C				1.00
5	NM6120003SC	NUT M12				2.00
6	PJ308040002	QUICK COUPLING				2.00
7	SL6051092TN	BOLT				2.00
8	SL6051492TN	BOLT				2.00
9	40033795	UNIT_FIXED_BKT_A				1.00
10	SL6040892TN	BOLT				2.00
11	40023190	SLIDE_BRACKET_B				1.00
12	SL6051492TN	BOLT				2.00
13	40039896	CUSHION				4.00
14	E5158715000	MAGNET CATCH				2.00
15	SL6030692TN	BOLT				4.00
16	40035072	SLIDE_RAIL				2.00
17	40033793	CORNER_KNIFE_UNIT_COVER				1.00
18	SM6040460TP	SCREW M4 L=4.2				13.00
19	40023200	FRAME_BRACKET				1.00
20	SL6082092TN	BOLT				2.00
21	40033786	TOGGLE_CLAMP				1.00
22	SM6041802TN	SCREW M4X0.7 L=18				1.00
23	NM6040001SC	NUT M4				2.00
24	SM6040602TN	BOLT				4.00
25	40033791	GUIDE_PLATE				1.00
26	SL6051292TN	BOLT				2.00
27	WP0553216SD	WASHER				2.00
28	40033797	OPEN_SENSOR_BRACKET				1.00
29	M8598610AA0	HEAD DETECT SWITCH ASM.				1.00
30	SL6040892TN	BOLT				3.00
31	SM6052502TN	HEXAGONAL-HOLE BOLT				2.00
32	NM6050001SC	NUT M5				2.00
33	40044019	SPRING_PLUNGER				1.00
34	CM300200002	CAUTION LABEL(25)				1.00

BINDER COMPONENTS



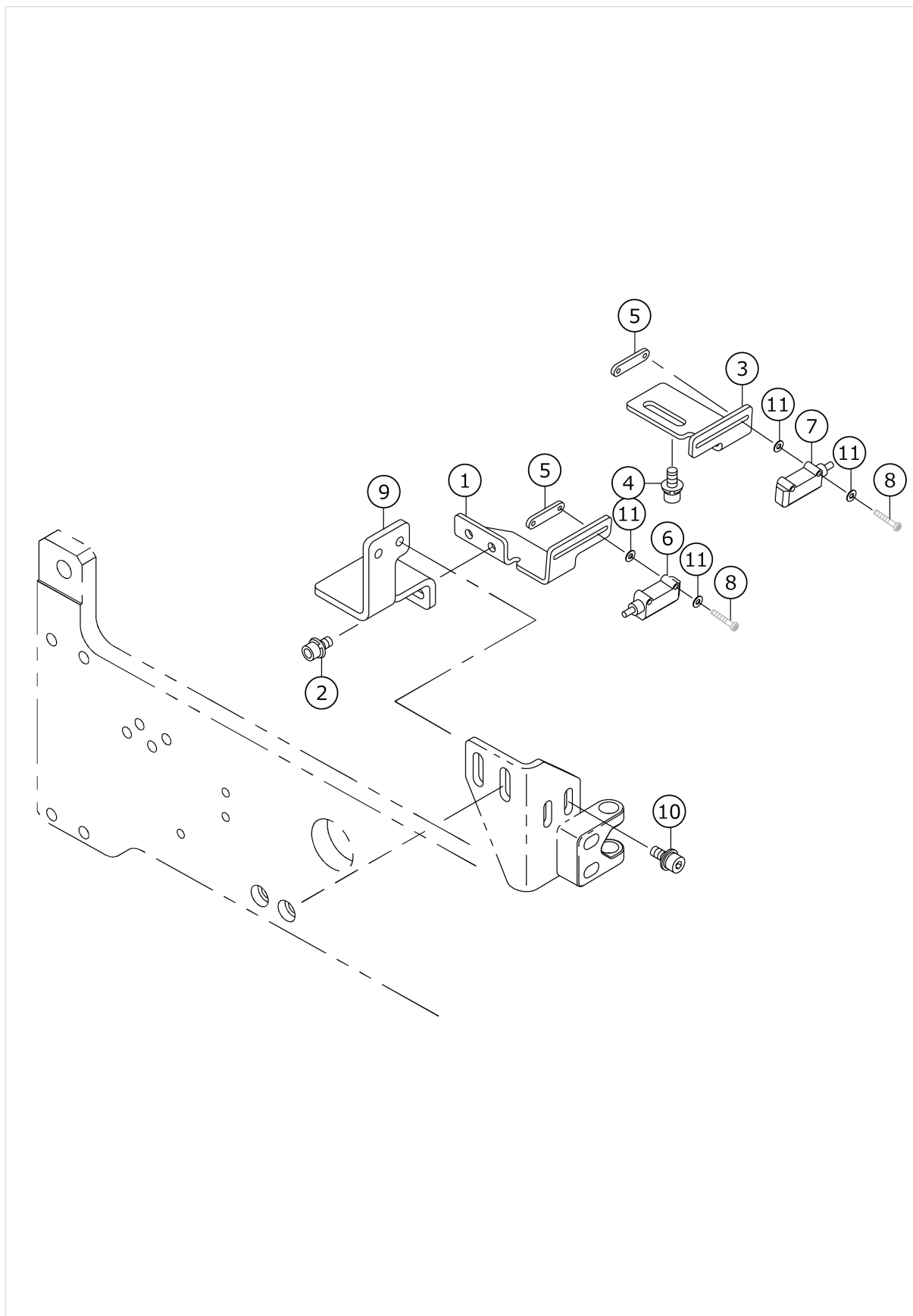
No.	品番	品名	備考	子部品	消耗品	個数
1	40044002	SENSOR ASM				1.00
2	SL4031091SC	SCREW M3 X 10				2.00
3	SK3381301SE	WOOD SCREW D=3.8 L=13				2.00
4	40026356	SENSOR_PLATE				1.00
5	SM6051002TN	BOLT				2.00
6	40044001	BINDER OPEN SWITCH ASM				1.00
7	SM6020802TN	SCREW M2 L=8				2.00
8	EA9500B0000	CLIP CV-70S				1.00
9	EA9500B0100	CABLE BAND				2.00
10	HX00150000A	CABLE CLAMP				1.00
11	SL4041091SC	SCREW M4 L=10				1.00
12	HX00314000B	SPIRAL TUBE				0.35

MARKING LIGHT COMPONENTS



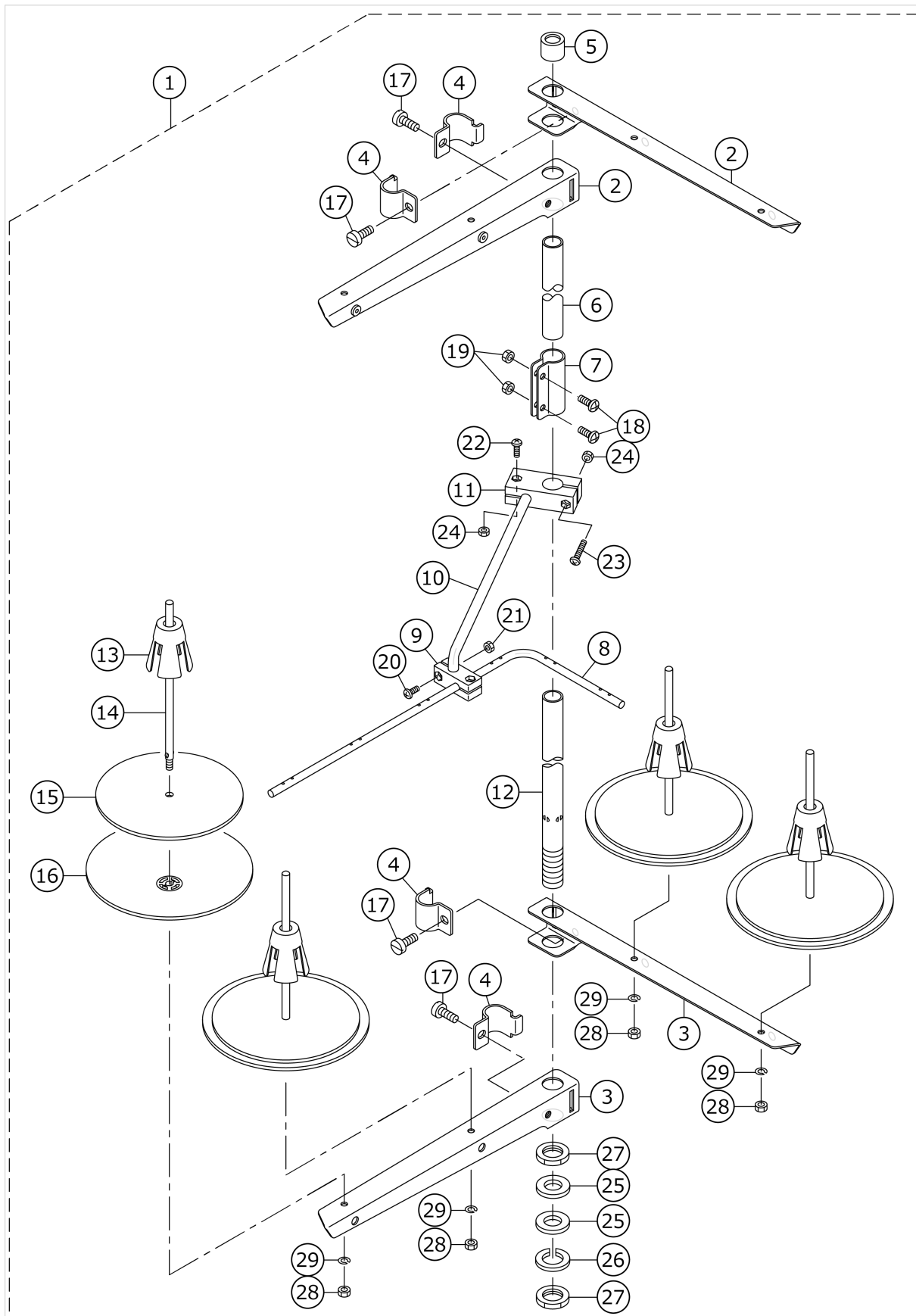
No.	品番	品名	備考	子部品	消耗品	個数
1	HE000530000	LAMP				1.00
2	HE000520000	LAMP				1.00

FLAP PHOTOTUBE COMPONENTS



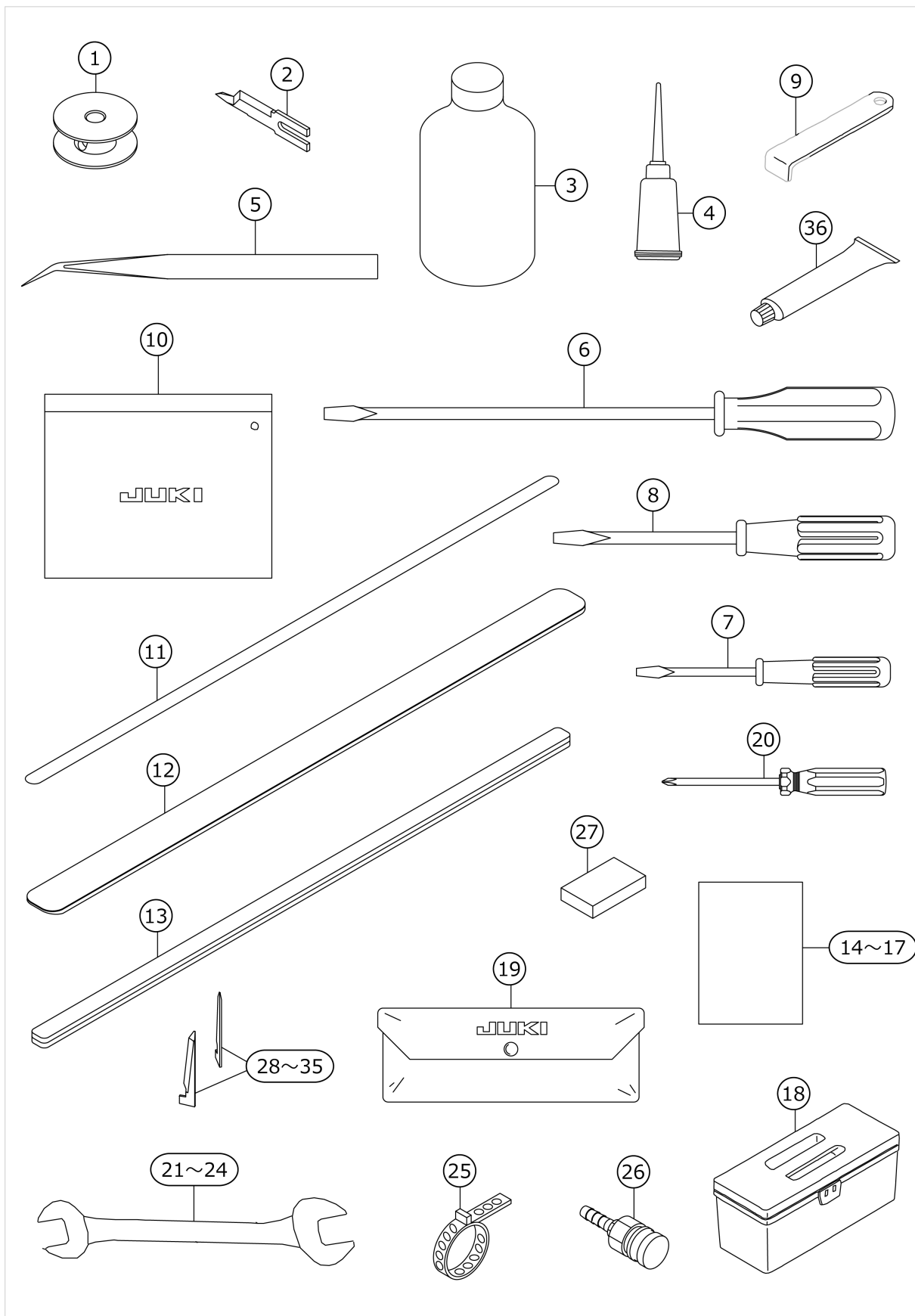
No.	品番	品名	備考	子部品	消耗品	個数
1	40042205	FLAP_SENSOR_BRACKET_L				1.00
2	SL6040892TN	BOLT				2.00
3	40034459	FLAP_SENSOR_BRACKET_R				1.00
4	SL6041092TN	SCREW				2.00
5	40034460	FLAP_SENSOR_BRACKET				2.00
6	40078661	FLAP_SENSOR_N_ASM_L				1.00
7	40078662	FLAP_SENSOR_N_ASM_R				1.00
8	SM4021201SC	SCREW M2 L=12				4.00
9	40042206	FLAP_SENSOR_BRACKET_A				1.00
10	SL6041092TN	SCREW				4.00
11	WP0220301SC	WASHER M2				4.00

THREAD STAND COMPONENTS



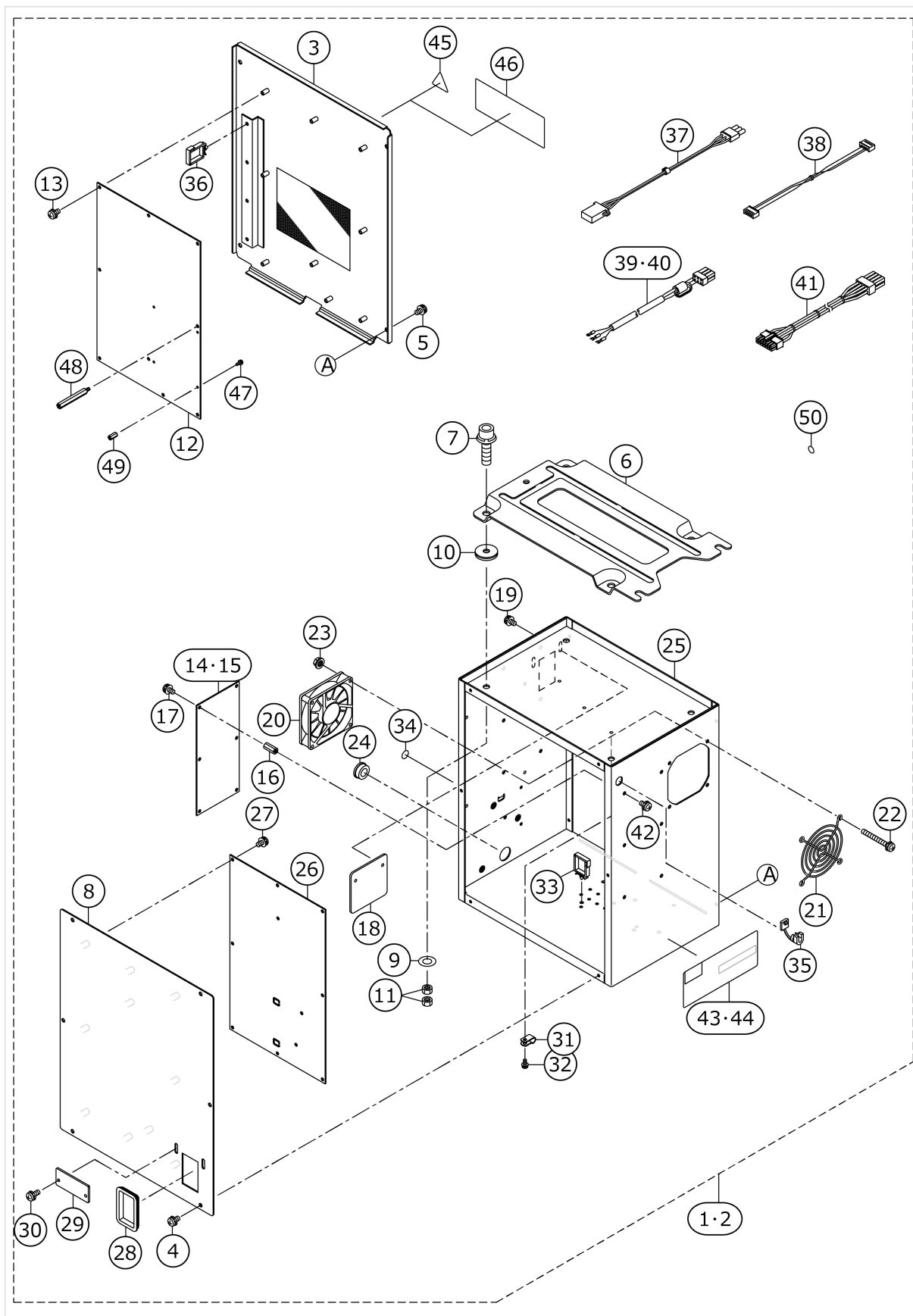
No.	品番	品名	備考	子部品	消耗品	個数
1	13167556	THREAD STANDING DEVICE ASM.				1.00
2	22930556	THREAD STANDING ARM ASM.		*		2.00
3	22930507	SPOOL REST ARM		*		2.00
4	22930705	THREAD GUIDE ARM JOINT		*		4.00
5	22931406	SPOOL REST ROD RUBBER CAP		*		1.00
6	22930408	SPOOL REST ROD, UPPER		*		1.00
7	22931307	SPOOL REST ROD JOINT		*		1.00
8	13167903	THREAD STANDING THREAD GUIDE		*		1.00
9	13168000	THREAD GUIDE BASE, LOWER		*		1.00
10	13168109	THREAD GUIDE ARM BASE		*		1.00
11	13168208	THREAD GUIDE ARM BASE		*		1.00
12	22930309	SPOOL REST ROD, LOWER		*		1.00
13	22931109	SPOOL RETAINER		*		4.00
14	22931000	SPOOL PIN		*		4.00
15	22930903	SPOOL REST CUSHION		*		4.00
16	22930804	SPOOL REST		*		4.00
17	SM6061610SC	SCREW M6 L=16		*		4.00
18	SM4051405SE	SCREW M5 L=14		*		2.00
19	NM6050001SE	NUT M5		*		2.00
20	SM4041001SC	SCREW M4X0.7 L=10		*		2.00
21	NM6040002SE	NUT M4X0.7		*		2.00
22	SM4041201SC	SCREW M4 L=12		*		1.00
23	SM4042001SC	SCREW M4 X 20		*		1.00
24	NM6040002SE	NUT M4X0.7		*		2.00
25	WP1612616SE	WASHER 16X30X2.6		*		2.00
26	WS1643202KR	SPRING WASHER		*		1.00
27	NM6160511SE	NUT M16X1.5		*		2.00
28	NM6050001SE	NUT M5		*		4.00
29	WS0510002KN	SPRING WASHER		*		4.00

ACCESSORIE PART COMPONENTS



No.	品番	品名	備考	子部品	消耗品	個数
1	40066272	ASSY_BOBBIN				2.00
2	40026155	KNIFE_RIGHT_A				1.00
3	MDFRX1600C0	DEFRIX OIL NO.1(600CC)				1.00
4	J1067000000	OILER				1.00
5	12288403	TWEEZERS				1.00
6	22933006	SCREW DRIVER,LARGE				1.00
7	22933204	SCREW DRIVER,SMALL				1.00
8	22933105	SCREW DRIVER,MIDDLE				1.00
9	B9101490000	DRIVER				1.00
10	22932800	ACCESSORIE BAG				1.00
11	40039942	REFLECTION_SHEET				2.00
12	40034825	GARMENT_CLAMP_RUBBER				2.00
13	40034826	FLAP_PRESSER_RUBBER				2.00
14	40045752	APW895_INSTRUCTION MANUAL				1.00
15	40045753	APW895_INSTRUCTION MANUAL_CD				1.00
16	40091948	EC DECLARATION (COMPLETE)				1.00
17	40096480	APW895 SAFETY INSTRUCTION EU				1.00
18	B8601WP10A0	TOOL BOX ASM.				1.00
19	G91011160A0	L-SHAPED WRENCH ASM.				1.00
20	G9119116000	DRIVER +				1.00
21	D9103555D00	WRENCH 6X7				1.00
22	B9110804000	WRENCH (8X9)				1.00
23	J1043000A0A	WRENCH 10X13				1.00
24	B9102761000	WRENCH (17X19)				1.00
25	PB000010000	HOSE BAND				1.00
26	PJ309520001	SOCKET				1.00
27	40039896	CUSHION				4.00
28	16607301	CORNER KNIFE A1	SELECTIVE PARTS			1.00
29	16607400	CORNER KNIFE A2	SELECTIVE PARTS			1.00
30	16607509	CORNER KNIFE (B-1)	SELECTIVE PARTS			1.00
31	16607608	CORNER KNIFE (B-2)	SELECTIVE PARTS			1.00
32	16607707	CORNER KNIFE (C-1)	SELECTIVE PARTS			1.00
33	16607806	CORNER KNIFE (C-2)	SELECTIVE PARTS			1.00
34	16607905	CORNER KNIFE(D-1)	SELECTIVE PARTS			1.00
35	16608002	CORNER KNIFE(D-2)	SELECTIVE PARTS			1.00
36	40006323	JUKI GREASE A TUBE				1.00

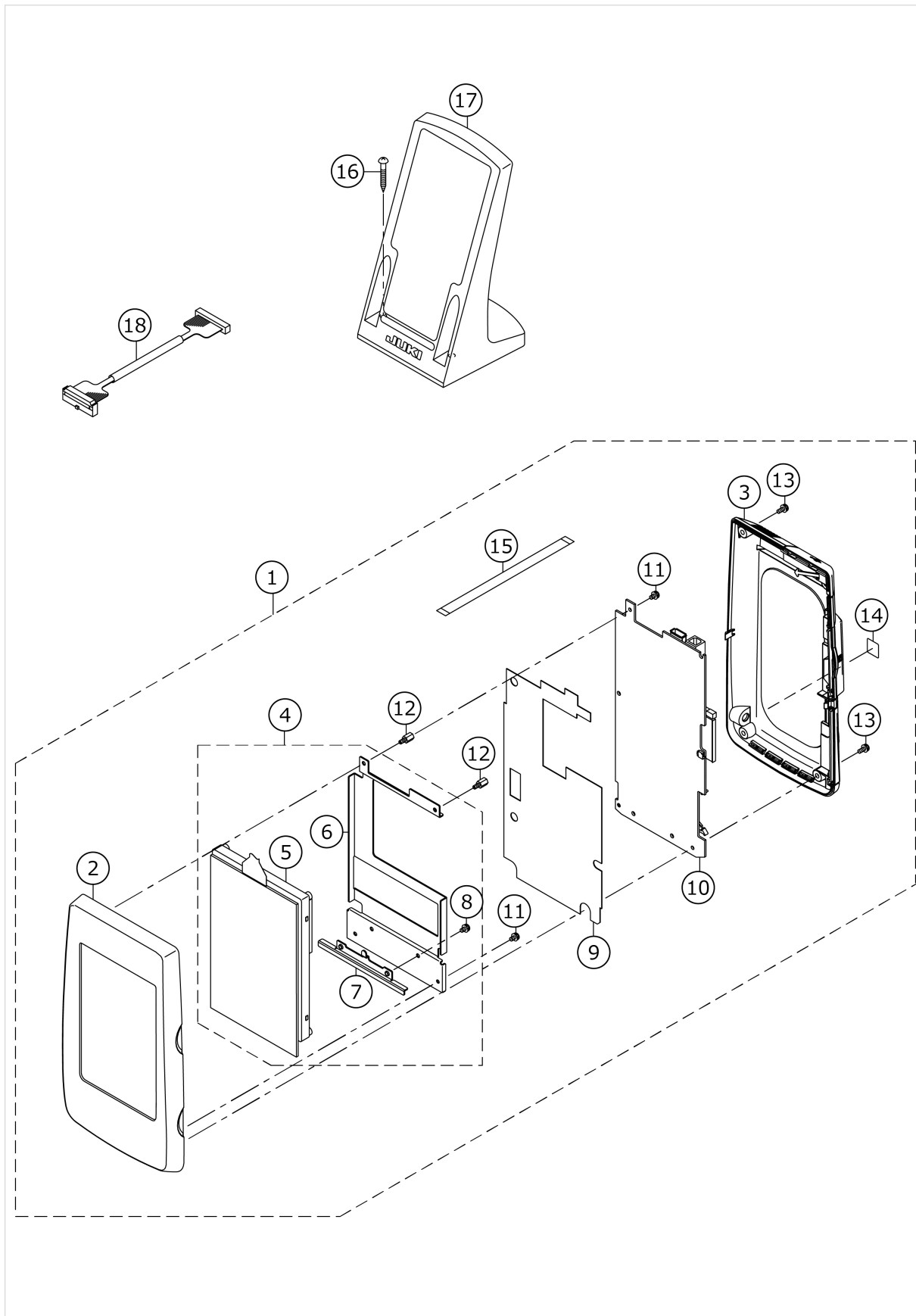
TRANSMISSION BOX COMPONENTS



No.	品番	品名	備考	子部品	消耗品	個数
1	40044231	CTL BOX A ASM	FOR 1-PHASE 200 ~ 240V			1.00
2	40044232	CTL BOX B ASM	FOR 3-PHASE 200 ~ 240V			1.00
3	40035729	CONTROL_BOX_FRONT_COVER(APW)		*		1.00
4	SL4040891SC	SCREW M4 L=8		*		6.00
5	SL4040891SC	SCREW M4 L=8		*		4.00
6	M3801476000	CONTROL BOX FITTING PLATE		*		1.00
7	SL6083092TN	SCREW		*		4.00
8	40035728	CONTROL_BOX_REAR_COVER(APW)		*		1.00
9	WP0841601SC	WASHER 8.4X17.4X1.6		*		4.00
10	M4206461000	WASHER		*		4.00
11	NM6080001SC	NUT M8X1.25		*		8.00
12	40025270	MAIN PCB ASSY		*		1.00
13	SL4040881SC	SCREW M4 L=8		*		9.00
14	40000046	FLT-S PCB A ASS'Y	FOR 1-PHASE 200 ~ 240V	*		1.00
15	40000056	FLT-T PCB A ASS'Y	FOR 3-PHASE 200 ~ 240V	*		1.00
16	HX00337000B	PARTS		*		6.00
17	SL4040881SC	SCREW M4 L=8		*		6.00
18	40006002	BOX SIDE COVER		*		1.00
19	SL4040891SC	SCREW M4 L=8		*		2.00
20	40005401	FAN MOTOR ASS'Y		*		1.00
21	KM000000480	FAN MOTOR		*		1.00
22	SL4043591SC	SCREW		*		4.00
23	NM3040520SC	NUT M4		*		4.00
24	HX00326000K	DOME PLUG		*		1.00
25	40055355	CONTROL BOX		*		1.00
26	40032977	SDC PCB ASSY		*		1.00
27	SL4040881SC	SCREW M4 L=8		*		10.00
28	HX004070000	BUSH		*		1.00
29	40084347	CORD FITTING PLATE		*		1.00
30	SL4041091SC	SCREW M4 L=10		*		2.00
31	HX00150000B	CABLE CLIP		*		1.00
32	SL4041091SC	SCREW M4 L=10		*		1.00
33	HX005110000	WIRE SADDLE		*		4.00
34	40003458	MASK SEAL		*		16.00
35	HX00410000A	STRAIN RELIEF BUSHING		*		1.00
36	HX005110000	WIRE SADDLE		*		3.00
37	40005393	FLT-SDC CORD P ASS'Y		*		1.00
38	40005394	FLT-SDC CORD S ASS'Y		*		1.00
39	40043974	AC POWER CORD B ASM	FOR 1-PHASE 200 ~ 240V	*		1.00
40	40032971	AC POWER CORD C ASM	FOR 3-PHASE 200 ~ 240V	*		1.00
41	40005726	SDC-MAIN CORD P ASSY		*		1.00
42	SL4040891SC	SCREW M4 L=8		*		6.00
43	40040388	RATING LABEL A DRAWING	FOR 1-PHASE 200 ~ 240V	*		1.00

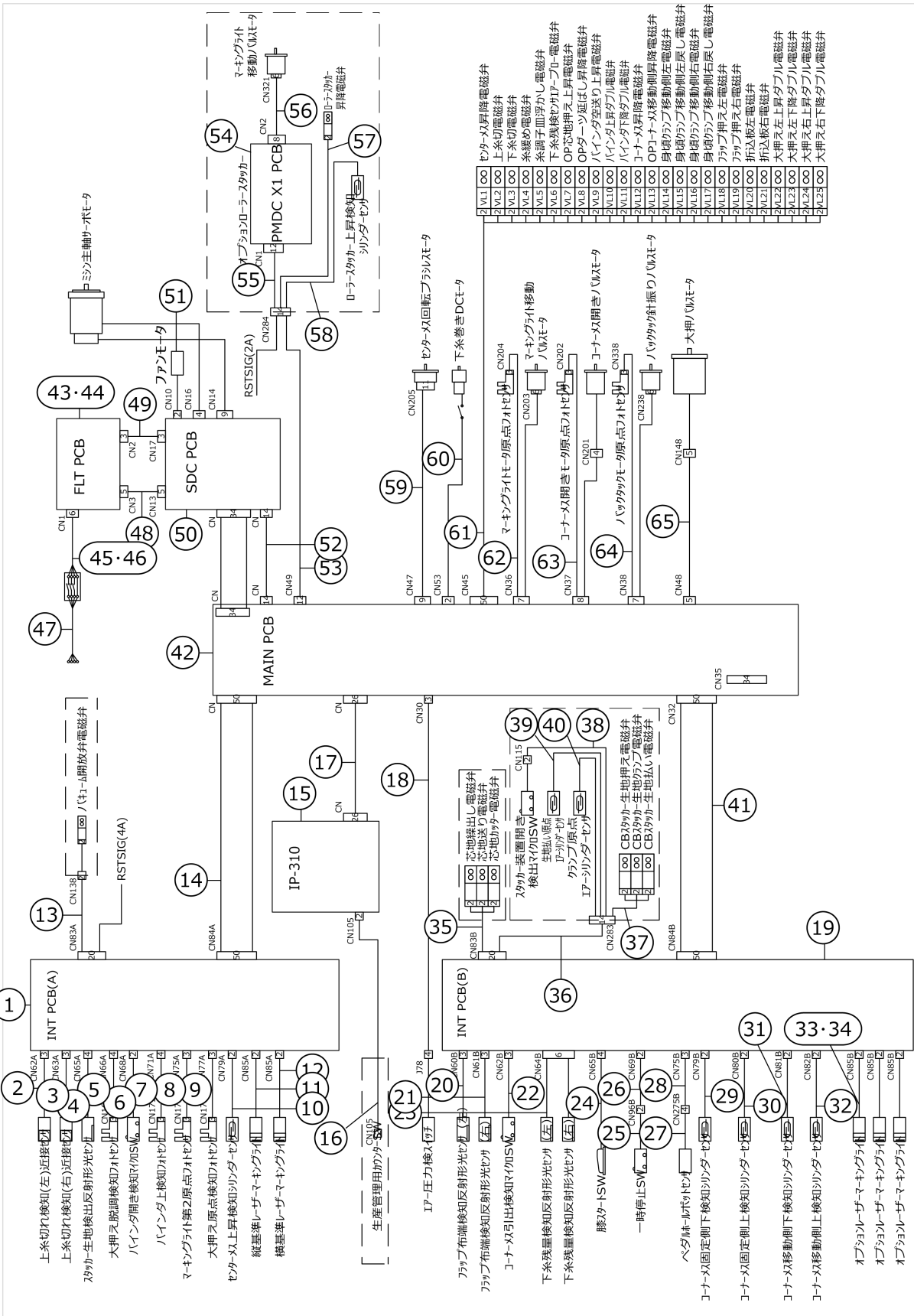
44	40040389	RATING LABEL B DRAWING	FOR 3-PHASE 200 ~ 240V	*		1.00
45	CM300100001	LABEL	FOR 1-PHASE 200 ~ 240V	*		1.00
46	CM300100402	LABEL	FOR 3-PHASE 200 ~ 240V	*		1.00
47	SL4030881SC	SCREW M3X8		*		4.00
48	HX00339000G	BOARD SPACER		*		1.00
49	HX00418000D	SPACER		*		4.00
50	E9567319000	EARTH MARK		*		1.00

OPERATION PANEL COMPONENTS



No.	品番	品名	備考	子部品	消耗品	個数
1	40101221	IP-420G PANEL ASSY				1.00
2	40078163	FRONT_CASE		*		1.00
3	40080799	REAR_CASE_ASSY		*		1.00
4	40080800	LCD_ASSY		*		1.00
5	40086541	LCD TOUCH PANEL ASSY	TECHNICAL INFORMATION (A16-029)	*		1.00
6	40083668	LCD_BRACKET	TECHNICAL INFORMATION (A16-029)	*		1.00
7	40083666	LCD_STAY		*		1.00
8	SL4030681SC	SCREW M3 L=6		*		2.00
9	40078168	INSULATION_SHEET		*		1.00
10	40083960	PANEL PCB ASSY		*		1.00
11	SL4030681SC	SCREW M3 L=6		*		3.00
12	HX00354000B	PCB SUPPORT L=8MM		*		2.00
13	SL4030881SC	SCREW M3X8		*		4.00
14	CM600100101	WEEE MARK LABEL S		*		1.00
15	HW002180200	FLAT CABLE		*		1.00
16	SK3413201SE	WOOD SCREW D=4.1 L=32				2.00
17	40035024	OPERATION_BOX_FIXED_PLATE(B)AS				1.00
18	40065566	PANEL CABLE D ASM				1.00

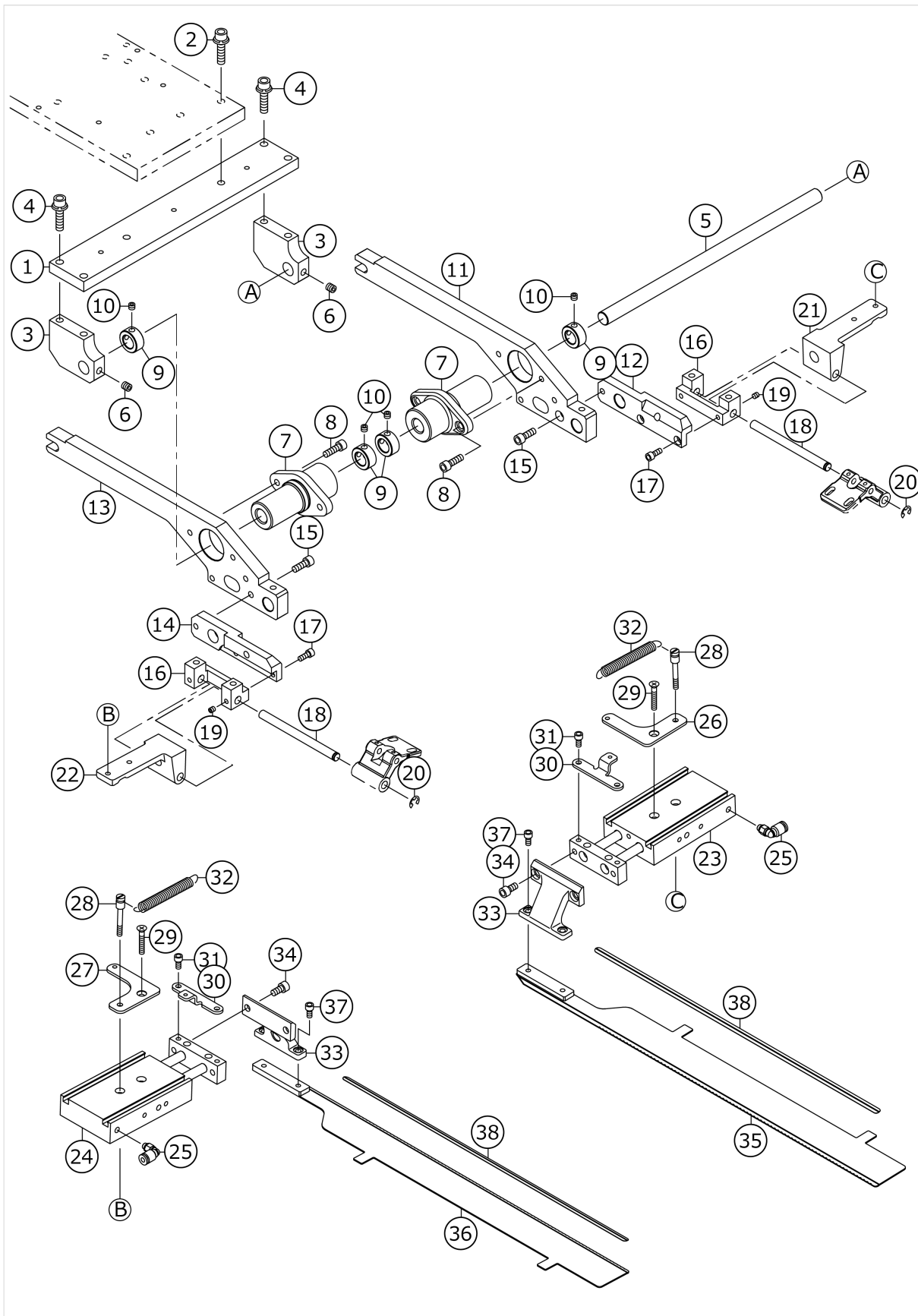
WIRING DIAGRAM



No.	品番	品名	備考	子部品	消耗品	個数
1	40025260	INT PCB ASSY				1.00
2	40043997	THREAD CHECK SENSOR ASM(L)				1.00
3	40043996	THREAD CHECK SENSOR ASM(R)				1.00
4	40044002	SENSOR ASM				1.00
5	40043982	STEP OUT SENSOR CORD ASM				1.00
6	40044002	SENSOR ASM				1.00
7	40043989	BINDER SENSOR RERAY COAD ASM				1.00
8	40043986	MARKING RIGHT 2NDORG CORD ASM				1.00
9	40043983	BIG PRESSER ORG SENSOR CORD ASM				1.00
10	40044626	AIRCYLINDER SENSOR CN79A				1.00
11	HE000530000	LAMP				1.00
12	HE000520000	LAMP				1.00
13	40043987	VACUUM SOLENOID VALVE CORD ASM				1.00
14	40043977	INT-I/F CORD A ASM				1.00
15	40044896	IP-310 COMPLETE				1.00
16	40008168	OP SWITCH CABLE A ASSY	OPTIONAL DEVICE			1.00
17	40030983	PANEL CABLE ASSY				1.00
18	40043992	AIR SW CORD ASM				1.00
19	40025260	INT PCB ASSY				1.00
20	40043999	FLAP SENSOR ASM L				1.00
21	40044000	FLAP SENSOR ASM R				1.00
22	40043991	CORNER KNIFE DRAWER SW CORD ASM				1.00
23	40043995	BOBIN SENSOR ASSY				1.00
24	40026945	NEE_SWITCH_ASSY				1.00
25	32002354	SWITCH ASM.				1.00
26	40043994	STOP SW RERAY COAD ASM				1.00
27	40006136	SENSOR A ASM				1.00
28	40043984	PEDAL SENSOR CORD ASM				1.00
29	40044627	AIRCYLINDER SENSOR CN79B				1.00
30	40044628	AIRCYLINDER SENSOR CN80B				1.00
31	40044629	AIRCYLINDER SENSOR CN81B				1.00
32	40044630	AIRCYLINDER SENSOR CN82B				1.00
33	HE000520000	LAMP	OPTIONAL DEVICE			1.00
34	HE000530000	LAMP	OPTIONAL DEVICE			1.00
35	40032964	AIR VALVE CABLE ASM	OPTIONAL DEVICE			1.00
36	40043985	STACKER CORD ASM				1.00
37	40032964	AIR VALVE CABLE ASM	OPTIONAL DEVICE			1.00
38	40044893	STACKER CORD B ASM	OPTIONAL DEVICE			1.00
39	40044631	AIRCYLINDER SENSOR CN283	OPTIONAL DEVICE			1.00
40	40044631	AIRCYLINDER SENSOR CN283	OPTIONAL DEVICE			1.00
41	40043978	INT-I/F CORD B ASM				1.00
42	40025270	MAIN PCB ASSY				1.00

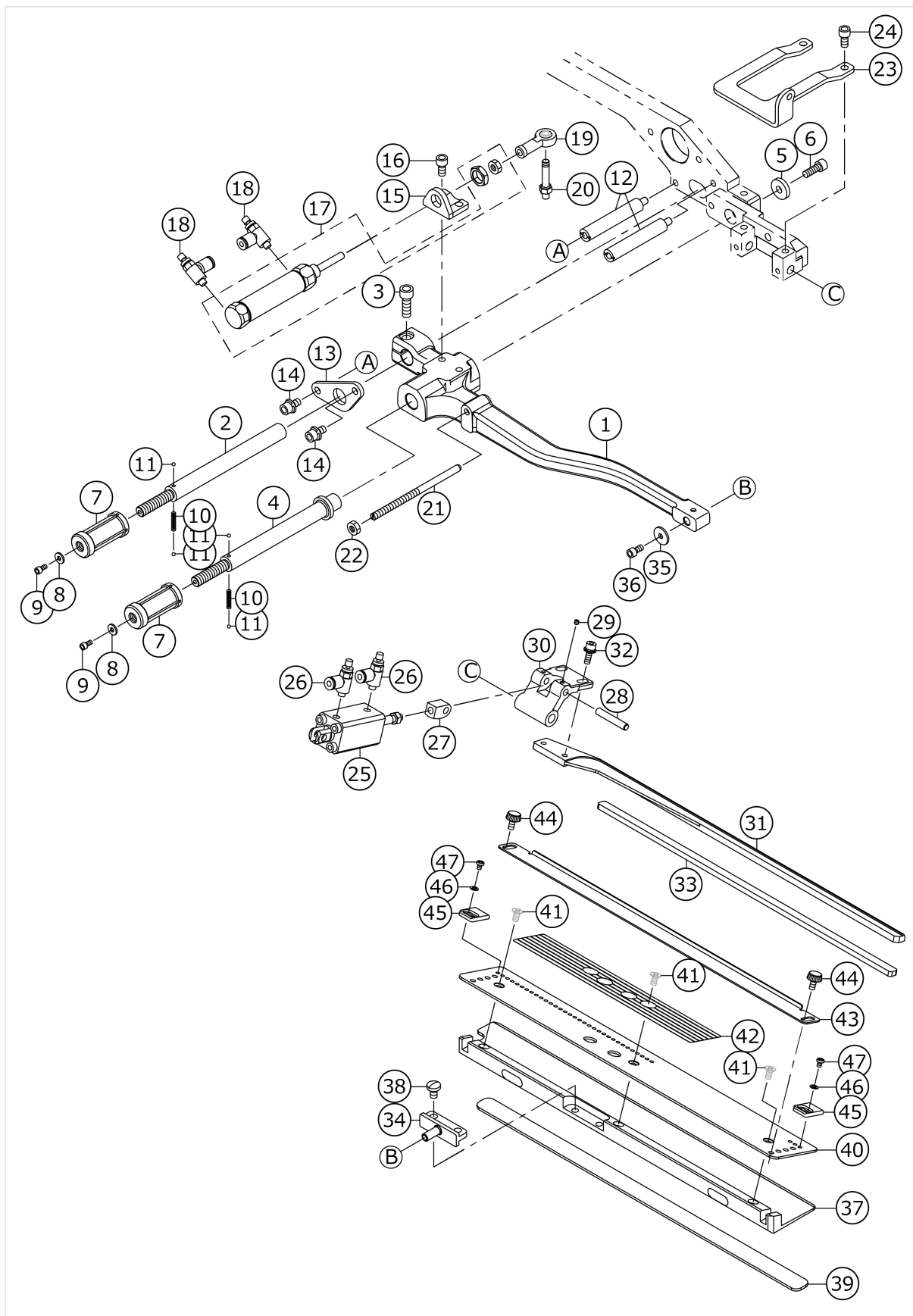
43	40000046	FLT-S PCB A ASS'Y	FOR 1-PHASE 20 0 ~ 240V(JE,GE NERAL EXPORT)			1.00
44	40000056	FLT-T PCB A ASS'Y	FOR 3-PHASE 20 0 ~ 240V(USE I N JAPAN,JUS)			1.00
45	40043974	AC POWER CORD B ASM	FOR 1-PHASE 20 0 ~ 240V(JE,GE NERAL EXPORT)			1.00
46	40032971	AC POWER CORD C ASM	FOR 3-PHASE 20 0 ~ 240V(USE I N JAPAN,JUS)			1.00
47	40043981	AC POWER CORD A ASM				1.00
48	40005394	FLT-SDC CORD S ASS'Y				1.00
49	40005393	FLT-SDC CORD P ASS'Y				1.00
50	40032977	SDC PCB ASSY				1.00
51	40005401	FAN MOTOR ASS'Y				1.00
52	40005726	SDC-MAIN CORD P ASSY				1.00
53	40044887	ROLLER STACKER RERAY CORD C ASM				1.00
54	40040396	PMDC X1 PCB ASSY	OPTIONAL DEVICE			1.00
55	40044887	ROLLER STACKER RERAY CORD C ASM	OPTIONAL DEVICE			1.00
56	40044888	ROLLER STACKER RERAY CORD D ASM	OPTIONAL DEVICE			1.00
57	40032964	AIR VALVE CABLE ASM	OPTIONAL DEVICE			1.00
58	40044632	AIRCYLINDER SENSOR CN284	OPTIONAL DEVICE			1.00
59	40043980	CENTER KNIFE MOTOR RERAY CORD ASM				1.00
60	40032963	MOTOR ASSY				1.00
61	40035098	AIR SORENOID VALVE CORD				1.00
62	40043979	MARKING RIGHT MOTOR RERAY CORD ASM				1.00
63	40043975	CORNER KNIFE MOTOR RERAY CORD ASM				1.00
64	40043993	REVERSE FEED MOTOR RERAY CORD ASM				1.00
65	40043990	BIG PRESSER MOTOR CORD ASM				1.00

CLAMP FOOT UNIT (1)



No.	品番	品名	備考	子部品	消耗品	個数
1	40026604	PIVOT_BASE				1.00
2	SL6062592TN	SCREW				1.00
3	40040819	PIVOT_BRACKET_W				1.00
4	SL6062592TN	SCREW				1.00
5	40026371	PIVOT_SHAFT				2.00
6	SM8060612TP	SCREW M6 L=6				2.00
7	40034782	FULCLUM_BOSS				4.00
8	SM6051602TN	BOLT				1.00
9	CS1200981TP	THRUST COLLAR D=12 W=9				2.00
10	SM8050412TP	SCREW M5 L=4				2.00
11	40040821	BASE_PRESSER_ARM_R_W				4.00
12	40040812	TURNING_BASE_SUPPORT_ARM_R_W				4.00
13	40040820	BASE_PRESSER_ARM_L_W				4.00
14	40040811	TURNING_BASE_SUPPORT_ARM_L_W				1.00
15	SM6051402TN	HEXAGONAL-HOLE BOLT M5 L=14				1.00
16	40034800	TURNING_BASE_SUPPORT				1.00
17	SM6041002TN	BOLT				1.00
18	40034801	TURNING_BASE_SHAFT				2.00
19	SM8040412TP	SET SCREW M4 L=4				2.00
20	RE0500000K0	E-RING				4.00
21	40034803	TURNING_BASE_R				2.00
22	40034802	TURNING_BASE_L				4.00
23	PA150320200	AIR CYLINDER				2.00
24	PA150320100	AIR CYLINDER				1.00
25	PJ304040504	ELBOW UNION				1.00
26	40034809	SPRING_HOLD_PLATE_R				1.00
27	40034808	SPRING_HOLD_PLATE_L				1.00
28	40034807	SPRING_HOLD_PIN				2.00
29	SM1042501SC	SCREW M4X0.7 L=25				1.00
30	40034810	FOLDING_PLATE_SPRING_BKT				1.00
31	SM6040802TN	SCREW				2.00
32	40040815	FOLDING_PLATE_SPRING_W				2.00
33	40034804	FOLDING_PLATE_BKT				2.00
34	SM6051002TN	BOLT				4.00
35	40040817	FOLDING_PLATE_RIGHT_W				2.00
36	40040816	FOLDING_PLATE_LEFT_W				2.00
37	SM6040802TN	SCREW				4.00
38	40056942	REFLECTION_SHEET_W				2.00

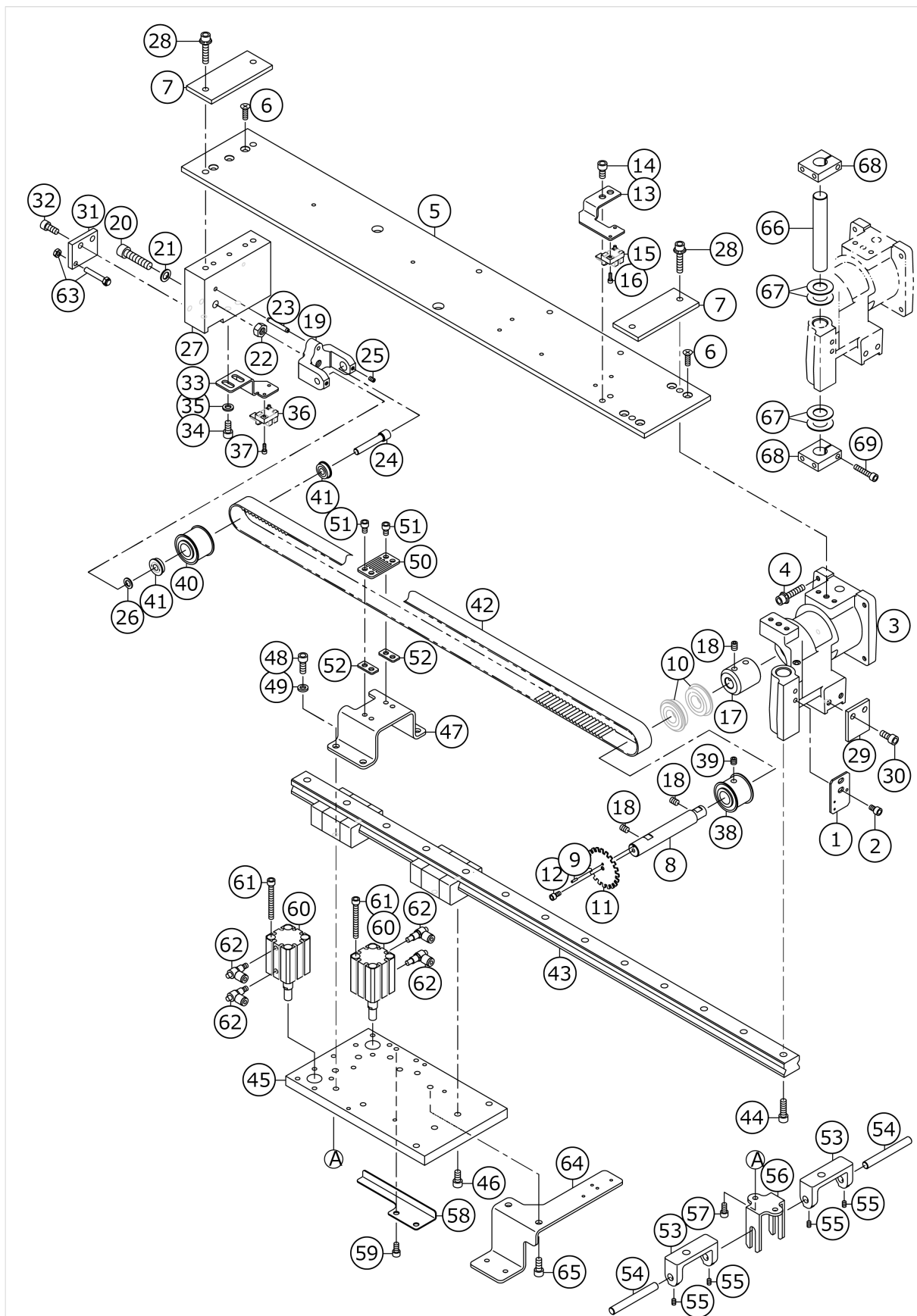
CLAMP FOOT UNIT (2)



No.	品番	品名	備考	子部品	消耗品	個数
1	40040822	GARMENT_CLAMP_ARM_L_W				1.00
2	40034787	SLIDING_SHAFT_B				1.00
3	SM6061802TN	BOLT				1.00
4	40040824	SLIDING_SHAFT_A_W				1.00
5	WP0553216SD	WASHER				1.00
6	SM6051402TN	HEXAGONAL-HOLE BOLT M5 L=14				1.00
7	40034788	RATCHET_KNOB				2.00
8	B1829232000	WASHER				2.00
9	SM6030602TN	HEX SCREW M3 X 6				2.00
10	40058597	RATCHET_SPRING				2.00
11	B1410526000	BALL				4.00
12	40034791	STOPPER_STAD				2.00
13	40034792	STOPPER_PLATE				1.00
14	SL6051092TN	BOLT				2.00
15	40034793	SLIDE_CYLINDER_BKT				1.00
16	SM6051002TN	BOLT				2.00
17	PA1603503A0	AIR CYLINDER				1.00
18	PC010508000	SPEED CONTROLLER				2.00
19	B1632180000	FEED ADJUSTING JOINT				1.00
20	40034796	JOINT_PIN				1.00
21	40034812	FOLDING_PLATE_STOPPER				1.00
22	NM6050001SC	NUT M5				1.00
23	40040834	FLAP_P_CYLINDER_BKT_L_W				1.00
24	SM6051002TN	BOLT				2.00
25	PA1202501A0	AIR CYLINDER				1.00
26	PC010508000	SPEED CONTROLLER				2.00
27	40034817	FLAP_PRESSER_JYJOINT				1.00
28	40034816	FLAP_PRESSER_PIN				1.00
29	SM8030312TP	SCREW M3 L=3				2.00
30	40034815	FLAP_PRESSER_ARM				1.00
31	40040830	FLAP_PRESSER_LEFT_W				1.00
32	SL6041292TN	SCREW				2.00
33	40040829	FLAP_PRESSER_RUBBER_W				1.00
34	40034797	CLAMP_PIVOT_PIN				1.00
35	B1707555000	WASHER				1.00
36	SM6040802TN	SCREW				1.00
37	40040825	GARMENT_CLAMP_L_W				1.00
38	SM7050850TP	SCREW M5 L=8				2.00
39	40040827	GARMENT_CLAMP_RUBBER_W				1.00
40	40040832	FLAP_BASE_LEFT_W				1.00
41	SM1040801SC	SCREW M4X0.7 L=8				3.00
42	40056943	FLAP_SCALE_SEAL_W				1.00
43	40040828	FLAP_SCALE_W				1.00
44	40019379	KNOB_SCREW				2.00
45	40034824	FLAP_STOPPER				2.00
46	WP0320500SC	WASHER M3				2.00
47	SM4030401SC	SCREW M3X0.5 L=4				2.00

No.	品番	品名	備考	子部品	消耗品	個数
1	40040823	GARMENT_CLAMP_ARM_R_W				1.00
2	40034787	SLIDING_SHAFT_B				1.00
3	SM6061802TN	BOLT				1.00
4	40040824	SLIDING_SHAFT_A_W				1.00
5	WP0553216SD	WASHER				1.00
6	SM6051402TN	HEXAGONAL-HOLE BOLT M5 L=14				1.00
7	40034788	RATCHET_KNOB				2.00
8	B1829232000	WASHER				2.00
9	SM6030602TN	HEX SCREW M3 X 6				2.00
10	40058597	RATCHET_SPRING				2.00
11	B1410526000	BALL				4.00
12	40034791	STOPPER_STAD				2.00
13	40034792	STOPPER_PLATE				1.00
14	SL6051092TN	BOLT				2.00
15	40034793	SLIDE_CYLINDER_BKT				1.00
16	SM6051002TN	BOLT				2.00
17	PA1603503A0	AIR CYLINDER				1.00
18	PC010508000	SPEED CONTROLLER				2.00
19	B1632180000	FEED ADJUSTING JOINT				1.00
20	40034796	JOINT_PIN				1.00
21	40034812	FOLDING_PLATE_STOPPER				1.00
22	NM6050001SC	NUT M5				1.00
23	40040835	FLAP_CYLINDER_BKT_R_W				1.00
24	SM6051002TN	BOLT				2.00
25	PA1202501A0	AIR CYLINDER				1.00
26	PC010508000	SPEED CONTROLLER				2.00
27	40034817	FLAP_PRESSER_JYJOINT				1.00
28	40034816	FLAP_PRESSER_PIN				1.00
29	SM8030312TP	SCREW M3 L=3				2.00
30	40034815	FLAP_PRESSER_ARM				1.00
31	40040831	FLAP_PRESSER_RIGHT_W				1.00
32	SL6041292TN	SCREW				2.00
33	40040829	FLAP_PRESSER_RUBBER_W				1.00
34	40034797	CLAMP_PIVOT_PIN				1.00
35	B1707555000	WASHER				1.00
36	SM6040802TN	SCREW				1.00
37	40040826	GARMENT_CLAMP_RW				1.00
38	SM7050850TP	SCREW M5 L=8				2.00
39	40040827	GARMENT_CLAMP_RUBBER_W				1.00
40	40040833	FLAP_BASE_RIGHT_W				1.00
41	SM1040801SC	SCREW M4X0.7 L=8				3.00
42	40056943	FLAP_SCALE_SEAL_W				1.00
43	40040828	FLAP_SCALE_W				1.00
44	40019379	KNOB_SCREW				2.00
45	40034824	FLAP_STOPPER				2.00
46	WP0320500SC	WASHER M3				2.00
47	SM4030401SC	SCREW M3X0.5 L=4				2.00

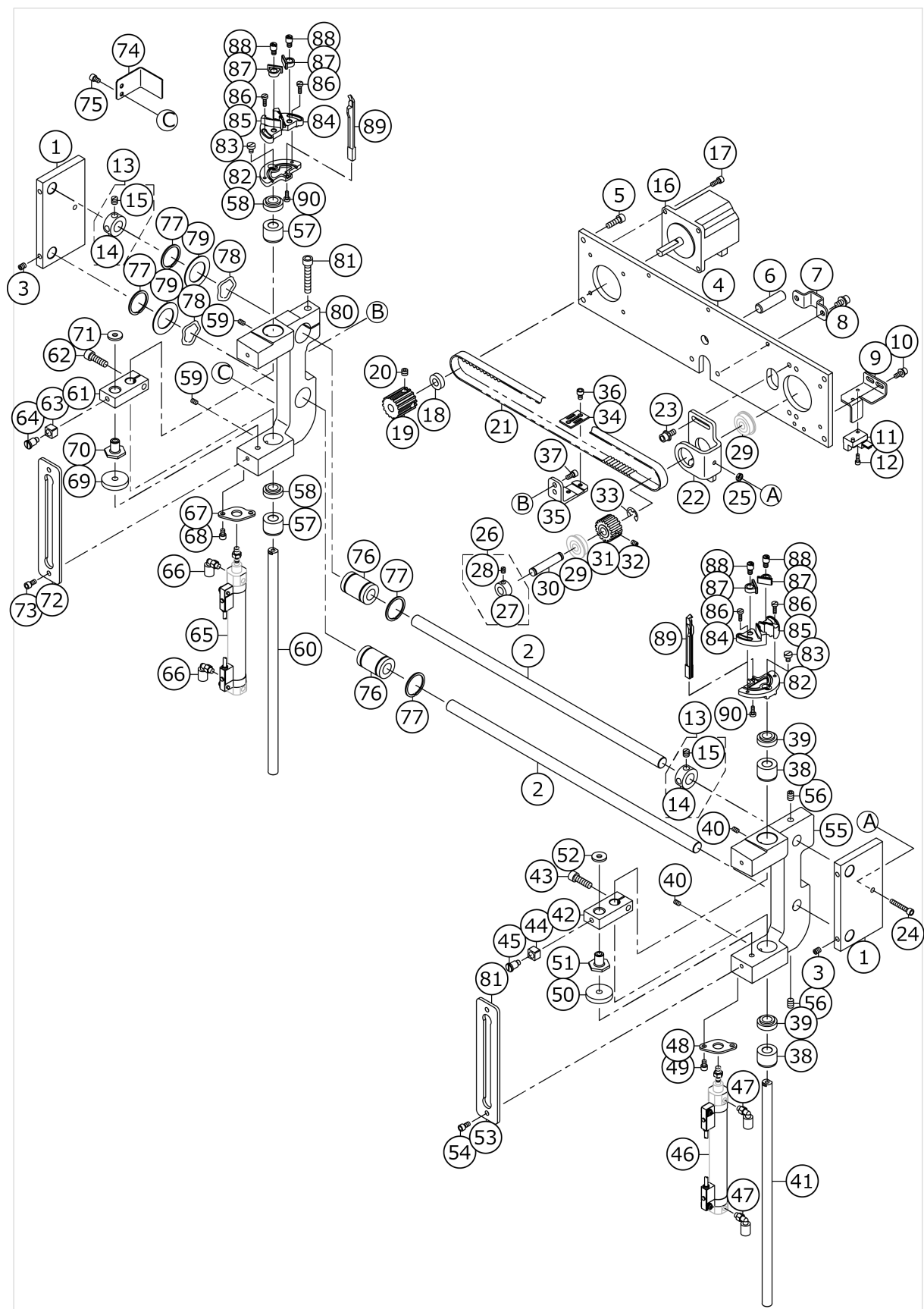
CLAMP FOOT FEED UNIT



No.	品番	品名	備考	子部品	消耗品	個数
1	40034662	SENSOR PLATE				1.00
2	SM6050802TN	BOLT				2.00
3	40026322	CLAMP_FOOT_BASE				1.00
4	SL6063092TN	SCREW M6 L=30				4.00
5	40026323	CLAMP_FOOT_PLATE				1.00
6	SM1051601SC	SCREW M5X0.8 L=16				7.00
7	40026349	CLAMP_FOOT_SPACER				2.00
8	40026363	CLAMP_FOOT_MAIN_SHAFT				1.00
9	PS0200082KH	SPRING PIN				1.00
10	SB115000700	BALL BEARING				2.00
11	40033800	CLAMP_FEED_DETECTIVE_PLATE				1.00
12	SM6040802TN	SCREW M4X0.7 L=8				1.00
13	40033801	CLAMP_FEED_SENSOR_BKT				1.00
14	SM6061202TN	BOLT				2.00
15	HD00057000A	PHOTO SENSOR				1.00
16	SM6030802TN	BOLT				1.00
17	40026364	COUPLING				1.00
18	SM8060812TP	SCREW M6 L=8				4.00
19	40026365	FOLLOW_PULLEY_BKT				1.00
20	SM6083502TN	SCREW				1.00
21	B255728000A	WASHER FOR DRIVING ARM				1.00
22	NM6080001SC	NUT M8X1.25				1.00
23	PS0400322KP	SPRING PIN 4.0X32				1.00
24	40026366	FOLLOW_PULLEY_SHAFT				1.00
25	SM8040612TP	SCREW M4 L=6				2.00
26	B4328220000	WASHER				1.00
27	40026367	CLAMP_FOOT_BLOCK				1.00
28	SL6063092TN	SCREW M6 L=30				4.00
29	40026368	LM_STOPPER_F				1.00
30	SM6061402TN	BOLT				2.00
31	40026369	LM_STOPPER_R				1.00
32	SM6061402TN	BOLT				2.00
33	40026370	SENSOR_BKT				1.00
34	SM6061202TN	BOLT				2.00
35	WP0641600SC	WASHEW 6.4X12.5X1.6				2.00
36	HD00057000A	PHOTO SENSOR				1.00
37	SM6030802TN	BOLT				1.00
38	40026418	DRIVING_PULLEY				1.00
39	SM8060612TP	SCREW M6 L=6				2.00
40	40026419	FOLLOW_PULLEY				1.00
41	SB107000500	BEARING				2.00
42	40026420	TIMING_BELT				1.00
43	40026421	LM_GUIDE				1.00
44	SM6062002TN	SCREW M6 L=20				2.00
45	40026606	SLIDE_BASE				1.00
46	SM6061202TN	BOLT				4.00
47	40026607	BELT_CLAMP_BASE				1.00
48	SM6061602TN	SCREW M6 L=16				4.00
49	WP0612066SP	WASHER 6.1X11X2				4.00
50	40026609	BELT_CLAMP				1.00

51	SM6050802TN	BOLT				4.00
52	40040845	BELT_CLAMP_SPACER				2.00
53	40026611	LIFTING_BLOCK				2.00
54	40026612	LIFTING_SHAFT				2.00
55	SM8040612TP	SCREW M4 L=6				4.00
56	40026613	LIFTING_GUIDE				1.00
57	SM6051002TN	BOLT				2.00
58	40026617	SENSOR_PLATE				1.00
59	SM6051002TN	BOLT				2.00
60	PA2001701A0	AIR CYLINDER				2.00
61	SM6054502TN	SCREW M5 L=45				8.00
62	PC010508000	SPEED CONTROLLER				4.00
63	40026822	STOPPER_BOLT				1.00
64	40026610	PAVING_PLATE_BASE				1.00
65	SM6061402TN	BOLT				2.00
66	40026341	PIVOT_SHAFT				1.00
67	B1220771000	THRUST WASHER A				4.00
68	40026329	BINDER_PIVOT_BASE_A				2.00
69	SM6052502TP	SCREW M5X0.8 L=25				2.00

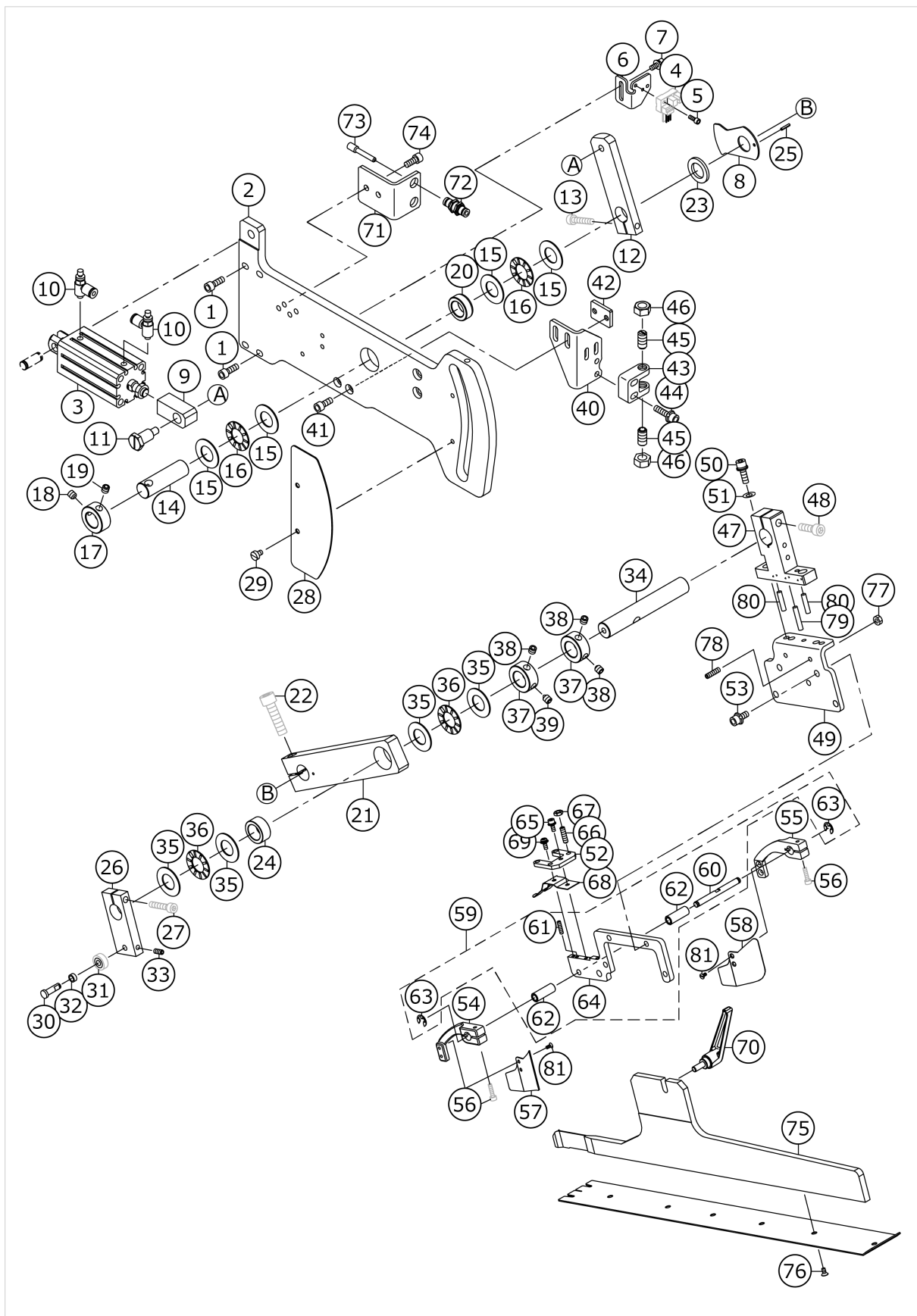
CORNER KNIFE UNIT



No.	品番	品名	備考	子部品	消耗品	個数
1	40023197	BASE_B				2.00
2	40023199	SLIDE_SHAFT				2.00
3	SM8050602TP	SCREW M5 L=6				4.00
4	40023196	BASE_A				1.00
5	SM6051602TN	BOLT				4.00
6	PH1000332SH	PIN 10X33				1.00
7	40033792	FIXED_PLATE				1.00
8	SL6051092TN	BOLT				2.00
9	40023198	SENSOR_BRACKET				1.00
10	SL6041092TN	SCREW				2.00
11	HD00057000A	PHOTO SENSOR				1.00
12	SM6030802TN	BOLT				1.00
13	CS1201010SH	THRUST COLLAR ASM. D=12 W=10				2.00
14	CS1201011SH	THRUST COLLAR D=12 W=10		*		1.00
15	SS8660610TP	SCREW 1/4-40 L=6		*		2.00
16	40044471	CORNER KNIFE MOTOR				1.00
17	SM6041002TN	BOLT				4.00
18	SB408000100	BEARING				1.00
19	B2513210D00	DRIVE SPROCKET				1.00
20	SM8060552TP	SCREW M6 L=5				2.00
21	40023205	TIMING_BELT				1.00
22	40023206	CORNER_KNIFE_FEED_BRACKET				1.00
23	SL6051292TN	BOLT				4.00
24	SM6042502TN	SCREW M4X0.7 L=25				1.00
25	NM6040003SC	NUT M4				1.00
26	CS080081CSH	THRUST COLLAR ASM. D=8.0 W=8				1.00
27	CS0800816SH	THRUST HOLDER D=8 W=8		*		1.00
28	SS8110520TP	SCREW 11/64-40 L= 4.5		*		2.00
29	SB108000500	RADIAL BEARING				2.00
30	26223701	LIFTING LEVER SHAFT				1.00
31	B2514210D00	DRIVEN SPROCKET				1.00
32	SM8040612TP	SCREW M4 L=6				1.00
33	RE0700000K0	E-RING 7				1.00
34	B2509210D00	BELT RECEIVER				1.00
35	40023207	BELT HOLDER				1.00
36	SM6040602TN	BOLT				2.00
37	SM6040802TN	SCREW				2.00
38	40023211	METAL_A				2.00
39	40023219	DUST_SEAL				2.00
40	SM8040602TP	SCREW M4X0.7 L=6				2.00
41	40023212	ELEVATING_SHAFT				1.00
42	40023213	LIFTING_BRACKET				1.00
43	SM6062002TN	SCREW M6 L=20				1.00
44	11214301	ROLLER				1.00
45	40023217	SHOULDER_SCREW				1.00
46	40023214	CYLINDER_A				1.00
47	PJ304040504	ELBOW UNION				2.00
48	40023215	CYLINDER_BRACKET				1.00
49	SM6040602TN	BOLT				2.00
50	17835307	CUSHION B				1.00

51	40023216	CYLINDER_NUT				1.00
52	WP0522016SH	WASHER				1.00
53	40023218	ELEVATING_GUIDE_PLATE				1.00
54	SM6040802TN	SCREW				2.00
55	40023209	ELEVATING_BRACKET_A				1.00
56	SM8060812TP	SCREW M6 L=8				2.00
57	40023211	METAL_A				2.00
58	40023219	DUST_SEAL				2.00
59	SM8040602TP	SCREW M4X0.7 L=6				2.00
60	40023212	ELEVATING_SHAFT				1.00
61	40023213	LIFTING_BRACKET				1.00
62	SM6062002TN	SCREW M6 L=20				1.00
63	11214301	ROLLER				1.00
64	40023217	SHOULDER_SCREW				1.00
65	40033799	CYLINDER_B				1.00
66	PJ304040504	ELBOW UNION				2.00
67	40023215	CYLINDER_BRACKET				1.00
68	SM6040602TN	BOLT				2.00
69	17835307	CUSHION B				1.00
70	40023216	CYLINDER_NUT				1.00
71	WP0522016SH	WASHER				1.00
72	40023218	ELEVATING_GUIDE_PLATE				1.00
73	SM6040802TN	SCREW				2.00
74	40023208	SENSOR_PLATE				1.00
75	SM6040602TN	BOLT				2.00
76	SB712000300	BEARING				2.00
77	RC2651218KP	RETAINING RING				4.00
78	WZ2640310KH	WAVED WASHER 26.4X33.9X3.5				2.00
79	11419504	THRUST COLLAR, A				2.00
80	40023210	ELEVATING_BRACKET_B				1.00
81	SM6063502TN	HEXAGONAL-HOLE BOLT M6 L=35				1.00
82	40023204	KNIFE HOLDER_BASE				2.00
83	SM6040600SP	SCREW M4 L=6				2.00
84	40023171	KNIFE HOLDER_A				2.00
85	40023172	KNIFE HOLDER_B				2.00
86	SM6031010SC	SCREW M3X0.5 L=10				4.00
87	40023173	KNIFE HOLDER_C				4.00
88	40023170	ECCENTRIC_PIN				4.00
89	40023175	KNIFE_GUIDE				2.00
90	SM6030800SP	SCREW M3X0.5 L=8				2.00

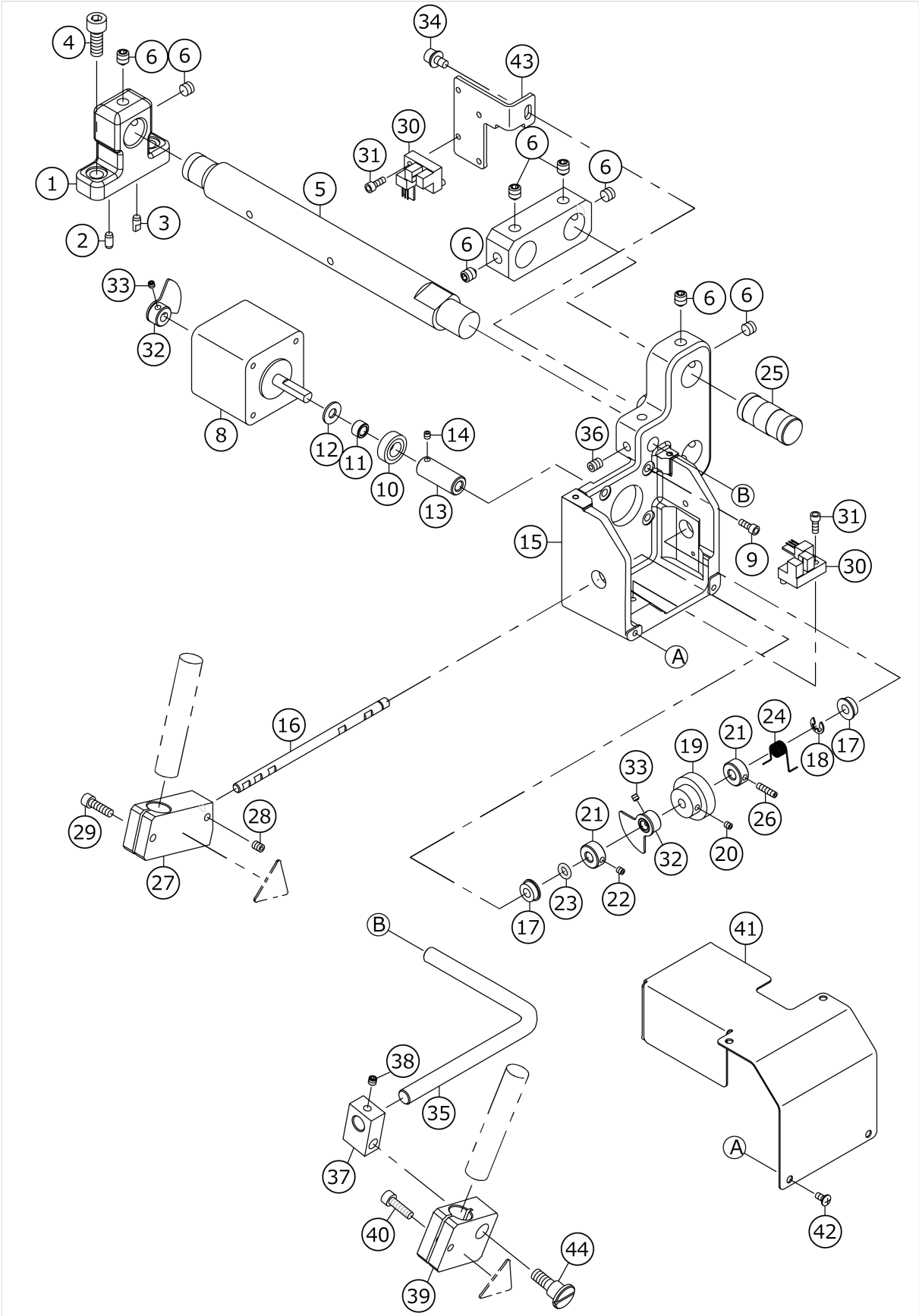
BINDER UNIT



No.	品番	品名	備考	子部品	消耗品	個数
1	SM6051402TN	HEXAGONAL-HOLE BOLT M5 L=14				4.00
2	40026327	BINDER_BASE_PLATE				1.00
3	PA2005016A0	AIR CYLINDER				1.00
4	HD00057000A	PHOTO SENSOR				1.00
5	SM6030802TN	BOLT				1.00
6	40039890	BINDER_SENSOR_BKT				1.00
7	SL6041092TN	SCREW				2.00
8	40039891	BINDER_SENSOR_PLATE				1.00
9	40039889	CYLINDER_JOINT_A				1.00
10	PC010523000	SPEED CONTROLLER				2.00
11	SD1001526TP	SHOULDER SCREW				1.00
12	40026331	BINDER_PLATE_A				1.00
13	SM6052502TP	SCREW M5X0.8 L=25				1.00
14	40026345	SHAFT_A				1.00
15	B1220771000	THRUST WASHER A				4.00
16	B1211980000	UPPER SHAFT THRUST BEARING				2.00
17	CS1501171TP	THRUST COLLAR D=15 W=11				1.00
18	SM8060612TP	SCREW M6 L=6				1.00
19	SM8060842TP	SCREW M6 L=8				1.00
20	40026340	METAL				1.00
21	40026332	BINDER_PLATE_B				1.00
22	SM6083002TN	SCREW M8 L=30				1.00
23	WP1502500SC	WASHER 15X24X2.5				1.00
24	SB315000200	BEARING				1.00
25	PS0200102KH	SPRING PIN 2.0 X 10				1.00
26	40026333	BINDER_PLATE_C				1.00
27	SM6052502TN	HEXAGONAL-HOLE BOLT				1.00
28	40127437	CAM_COVER				1.00
29	SM6040610SC	SCREW M4X0.7 L=6				2.00
30	40026326	BEARING_SHAFT				1.00
31	SB105000300	BALL BEARING				1.00
32	B1650210000	DRIVING LINK ROLLER.				1.00
33	SM8041012TP	SCREW M4 L=10				1.00
34	40026346	SHAFT_B				1.00
35	B1220771000	THRUST WASHER A				4.00
36	B1211980000	UPPER SHAFT THRUST BEARING				2.00
37	CS1501171TP	THRUST COLLAR D=15 W=11				2.00
38	SM8060612TP	SCREW M6 L=6				3.00
39	SM8060842TP	SCREW M6 L=8				1.00
40	40026343	ROCK_PLATE				1.00
41	SM6051202TN	SCREW M5X0.8 L=12				2.00
42	40038025	ROCK_PLATE_BKT				1.00
43	40072875	ROCK_BASE				1.00
44	SL6052092TN	SCREW				2.00
45	40035107	BALL_PLUNGER_H				2.00
46	NM6080001SC	NUT M8X1.25				2.00
47	40081412	BINDER_FITTING_BASE_A				1.00
48	SM6062502TN	HEXAGONAL-HOLE BOLT				1.00
49	40081413	BINDER_FITTING_BASE_B				1.00
50	SL6052092TN	SCREW				2.00

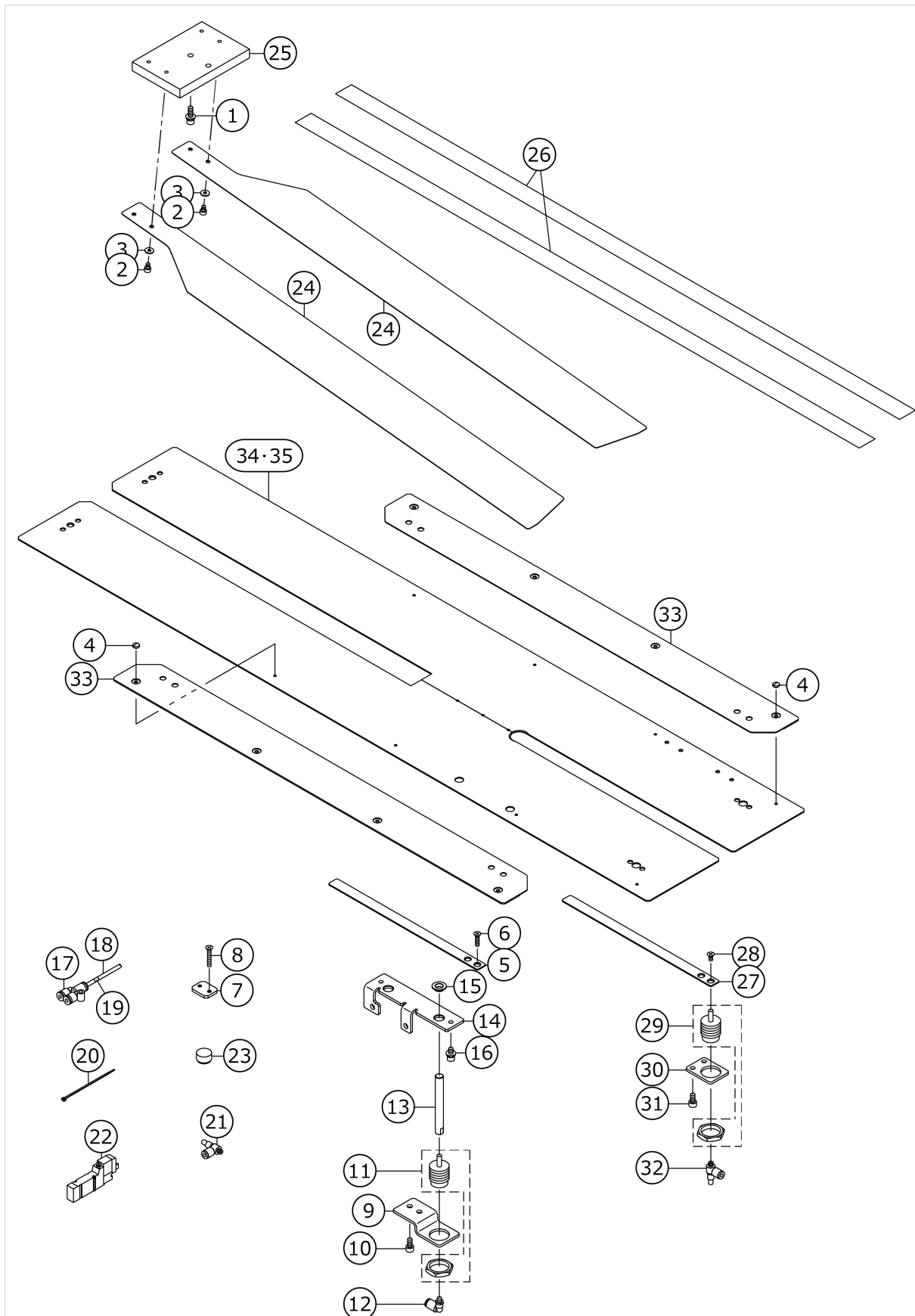
51	WP0611626SP	WASHER 15X6X1.6				2.00
52	40040839	WORKPIECE_GUIDE_STOPPER_W				1.00
53	SL6051292TN	BOLT				4.00
54	40026622	CLOTH_GUIDE_ARM_L				1.00
55	40026623	CLOTH_GUIDE_ARM_R				1.00
56	SM6031202TN	BOLT				2.00
57	40026624	CLOTH_GUIDE_L				1.00
58	40026625	CLOTH_GUIDE_R				1.00
59	40100310	BINDER_FITTING_BASE_C_ASM.				1.00
60	40034490	GUIDE_PIN		*		1.00
61	SM8031212TP	SCREW		*		1.00
62	40034491	ARM_BUSHING		*		2.00
63	RE0320000K0	E-RING 3.2		*		2.00
64	40081414	BINDER_FITTING_BASE_C		*		1.00
65	SL6030892TN	SCREW				1.00
66	SM8041552TP	SCREW M4 L=15				4.00
67	NM6040001SC	NUT M4				4.00
68	40034494	WORKPIECE_GUIDE_SPRING_24_W				1.00
69	SL4030891SC	SCREW M3X8				1.00
70	40080692	CLAMP_LEVER				1.00
71	40034665	CONNECTOR PLATE				1.00
72	PJ230004200	UNION				2.00
73	PX500014000	PLUG				2.00
74	SM6051202TN	SCREW M5X0.8 L=12				2.00
75	40064227	BINDER_BASE_W				2.00
76	SM1030601SP	SCREW M3 L=6				12.00
77	NM6040001SC	NUT M4				2.00
78	SM8041552TP	SCREW M4 L=15				2.00
79	PH0400185S0	PARALLEL PIN				1.00
80	PH0400225S0	PARALLEL PIN				2.00
81	SS1060610SP	SCREW 3/32-56 L=5.5				4.00

MARKING LIGHT UNIT



No.	品番	品名	備考	子部品	消耗品	個数
1	40033997	MARKING_LIGHT_BASE				1.00
2	13302500	DOWEL PIN 2				1.00
3	13301908	DOWEL PIN				1.00
4	SM6061602TN	SCREW M6 L=16				2.00
5	40033998	MARKING_SHAFT				1.00
6	SM8060602TP	SCREW M6X6				8.00
7	40078114	LONG_JOINT_BASE				1.00
8	40044470	MARKING LIGHT MOTOR				1.00
9	SM6030802TN	BOLT				4.00
10	SB408000100	BEARING				1.00
11	40027363	BEARING_COLLAR				1.00
12	B2107816000	WASHER				1.00
13	40028566	WORM				1.00
14	SM8030312TP	SCREW M3 L=3				1.00
15	40027359	GEAR_BOX				1.00
16	40078141	GEAR_SHAFT_W				1.00
17	SB105000400	BEARING				2.00
18	RE0400000KP	E-RING 4				1.00
19	40028567	WORM_WHEEL				1.00
20	SM8030312TP	SCREW M3 L=3				1.00
21	40040243	SPRING_HOOK				2.00
22	SM8030312TP	SCREW M3 L=3				1.00
23	RO048190100	RUBBER RING				1.00
24	40034004	SPRING				1.00
25	40078115	LONG_JOINT_SHAFT				1.00
26	SM8031212TP	SCREW				1.00
27	40078142	MARKING_LIGHT HOLDER_W				1.00
28	SM8040512TP	SCREW				1.00
29	SM6041402TN	SCREW M4X0.7 L=14				1.00
30	HD00057000A	PHOTO SENSOR				2.00
31	SM6030802TN	BOLT				2.00
32	40031056	SENSOR_SLIT_ASM.				2.00
33	SM8030312TP	SCREW M3 L=3				4.00
34	SL6040892TN	BOLT				1.00
35	40034000	FIXED_SHAFT				1.00
36	SM8050602TP	SCREW M5 L=6				2.00
37	40034002	FIXED HOLDER_B				1.00
38	SM8040412TP	SET SCREW M4 L=4				1.00
39	40034001	FIXED HOLDER_A				1.00
40	SM6041402TN	SCREW M4X0.7 L=14				1.00
41	40034005	MARKING_LIGHT_COVER				1.00
42	SM0030601SC	SCREW M3X0.5 L=6				4.00
43	40010531	SENSOR_INSTALLING_BASE				1.00
44	SD0900706TP	SHOULDER SCREW D=9 H=7				1.00

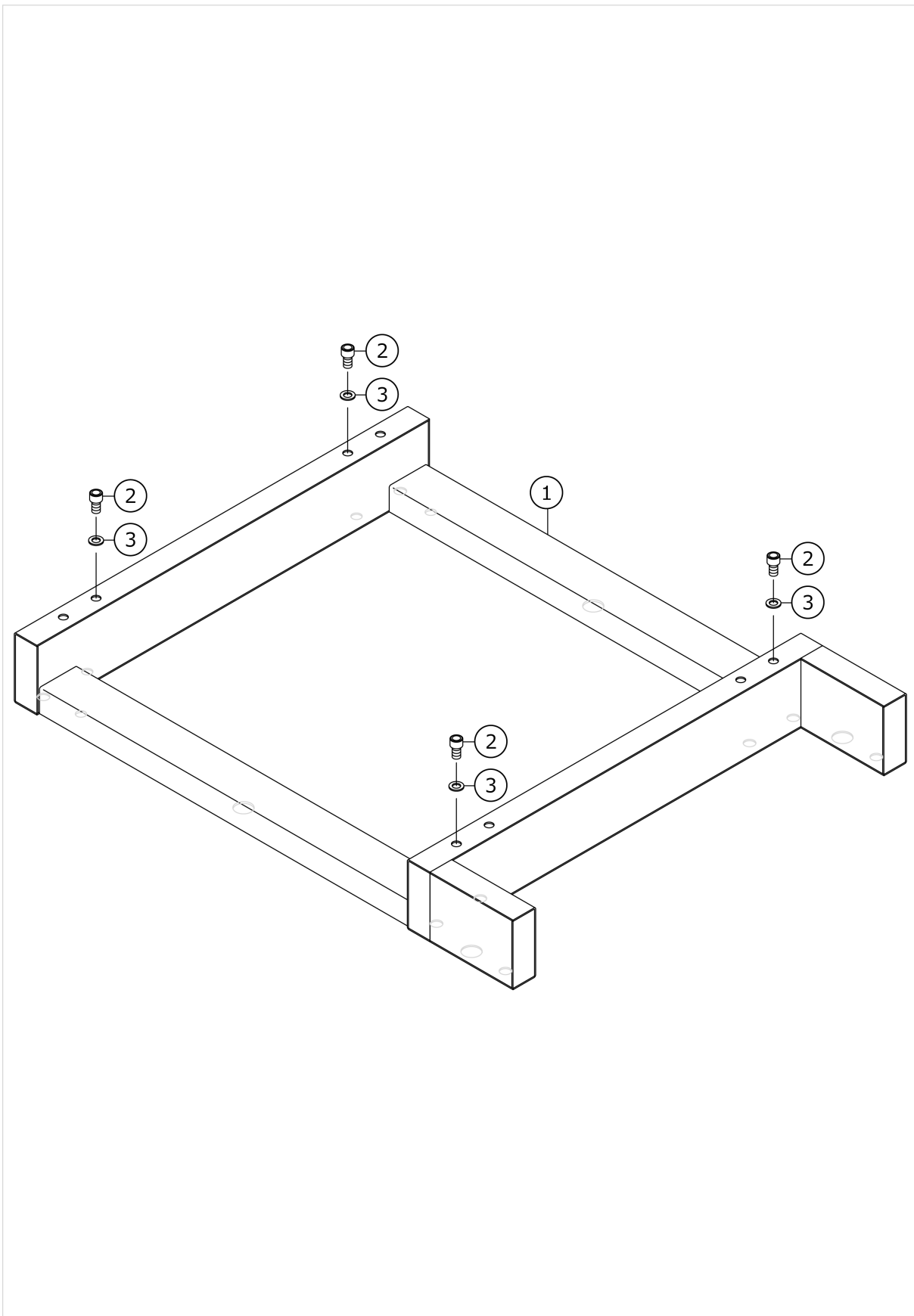
SA-118L:PAVING PLATE DEVICE



No.	品番	品名	備考	子部品	消耗品	個数
1	SL6051692TN	BOLT				2.00
2	SM6040602TN	BOLT				4.00
3	WP0431005SP	PLAIN WASHER 4.3X12X1				4.00
4	SS5090210SP	SCREW 9/64-40 L=2				8.00
5	40045750	WORK_PIECE_CLAMP_M				1.00
6	SM1041601SC	SCREW M4X0.7 L=16				2.00
7	40056950	PLATE				1.00
8	SM1042501SC	SCREW M4X0.7 L=25				2.00
9	40034466	WORK_PIECE_CLAMP_CYLINDER_BRACKET				1.00
10	SM6051002TN	BOLT				2.00
11	PA1500505A0	AIR CYLINDER				1.00
12	PJ304040506	ELBOW UNION				1.00
13	40034467	WORK_PIECE_CYLINDER_ROD				1.00
14	40034469	WORK_PIECE_CLAMP_GUIDE_PLATE				1.00
15	40034468	WORK_PIECE_CYLINDER_ROD_BUSH				2.00
16	SL6051092TN	BOLT				2.00
17	PJ308040002	QUICK COUPLING				1.00
18	BT0400251EB	URETHANE HOSE, BLACK				1.00
19	18035600	WIRE MARK (7)				11.00
20	EA9500B0100	CABLE BAND				6.00
21	PC010507000	SPEED CONTROLLER				1.00
22	PV150104000	5-PORT SOKENOID VALVE				1.00
23	TA1701002R0	RUBBER PLUG				1.00
24	40040843	PAVING_PLATE_W				2.00
25	40040838	PAVING_PLATE_BKT_W				1.00
26	40071729	SLIDE_PROMOTING_TAPE_W				4.00
27	40034473	HAIR_CLOTH_PRESSER(380)				1.00
28	SM1040801SC	SCREW M4X0.7 L=8				2.00
29	PA1500505A0	AIR CYLINDER				1.00
30	40034472	HAIR_CLOTH_PRESSER_CYLINDER_BRACKET				1.00
31	SM6051002TN	BOLT				2.00
32	PC010507000	SPEED CONTROLLER				1.00
33	40040844	PAVING_PLATE_GUIDE_W				2.00
34	40071730	SEWNING_TABLE_UNIT_PAVING_22_26				1.00
35	40071731	SEWNING_TABLE_UNIT_PAVING_28_32				1.00

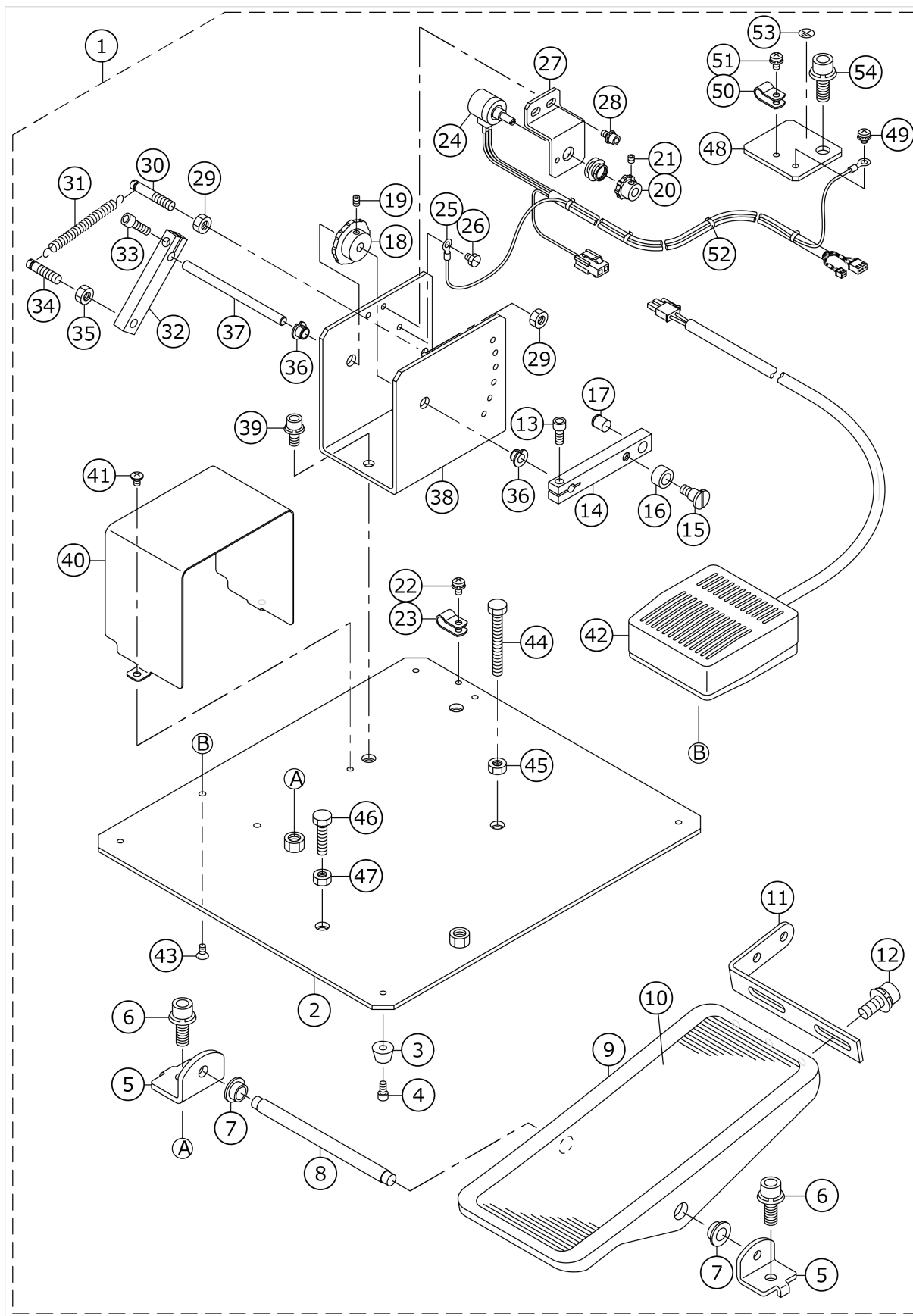
No.	品番	品名	備考	子部品	消耗品	個数
1	40041820	BUNDLE_CLAMP_BASE_B				1.00
2	SL6082042TN	BOLT	ACCESSORIES PARTS			3.00
3	40035143	CLAMP_BASE_CUSHION				1.00
4	40035136	CYLINDER_SHAFT_A				1.00
5	RE0700000K0	E-RING 7				1.00
6	40041821	BUNDLE_SHAFT				1.00
7	SM6052502TN	HEXAGONAL-HOLE BOLT				1.00
8	40041822	BUNDLE_CLAMP_BASE_A				1.00
9	40051479	METAL				2.00
10	SM8050412TP	SCREW M5 L=4				2.00
11	40035144	THRUST WASHER				4.00
12	CS1501181TP	THRUST COLLAR D=15 W=11				1.00
13	SM8050412TP	SCREW M5 L=4				2.00
14	PA2505004A0	AIR CYLINDER				1.00
15	PA900071000	CYLINDER JOINT				1.00
16	PC015108000	SPEED CONTROLLER				2.00
17	PX020002000	ACTUATOR				1.00
18	PV010502000	AIR VALVE				1.00
19	PJ046052503	HOSE ELBOW				2.00
20	PJ046054002	HOSE ELBOW				1.00
21	BT0400251EB	URETHANE HOSE, BLACK				2.20
22	BT0600401EB	TUBE				2.20
23	SM6051002TN	BOLT	ACCESSORIES PARTS			4.00
24	WP0651001SC	WASHER	ACCESSORIES PARTS			4.00
25	EA9500B0100	CABLE BAND				3.00
26	18039503	WIRE MARK (46)				2.00
27	18039602	WIRE MARK (47)				2.00
28	40059327	BUNDLE_TABLE_ASSY				1.00
29	40041823	BUNDLE_TABLE		*		1.00
30	40026362	TABLE_WASHER		*		3.00
31	SM1063552TN	SCREW M6 L=35		*		3.00
32	NM6060001SC	NUT M6		*		3.00
33	40041824	BUNDLE_ASSY_FRAME		*		1.00

SA-129:STANDING WORK STAND



No.	品番	品名	備考	子部品	消耗品	個数
1	40036142	STANDING_BASE				1.00
2	SM6123002TN	SCWER M12 L=30				4.00
3	WP1202016SD	WASHER 12X21X2				4.00

SA-130:STANDING WORK PEDAL

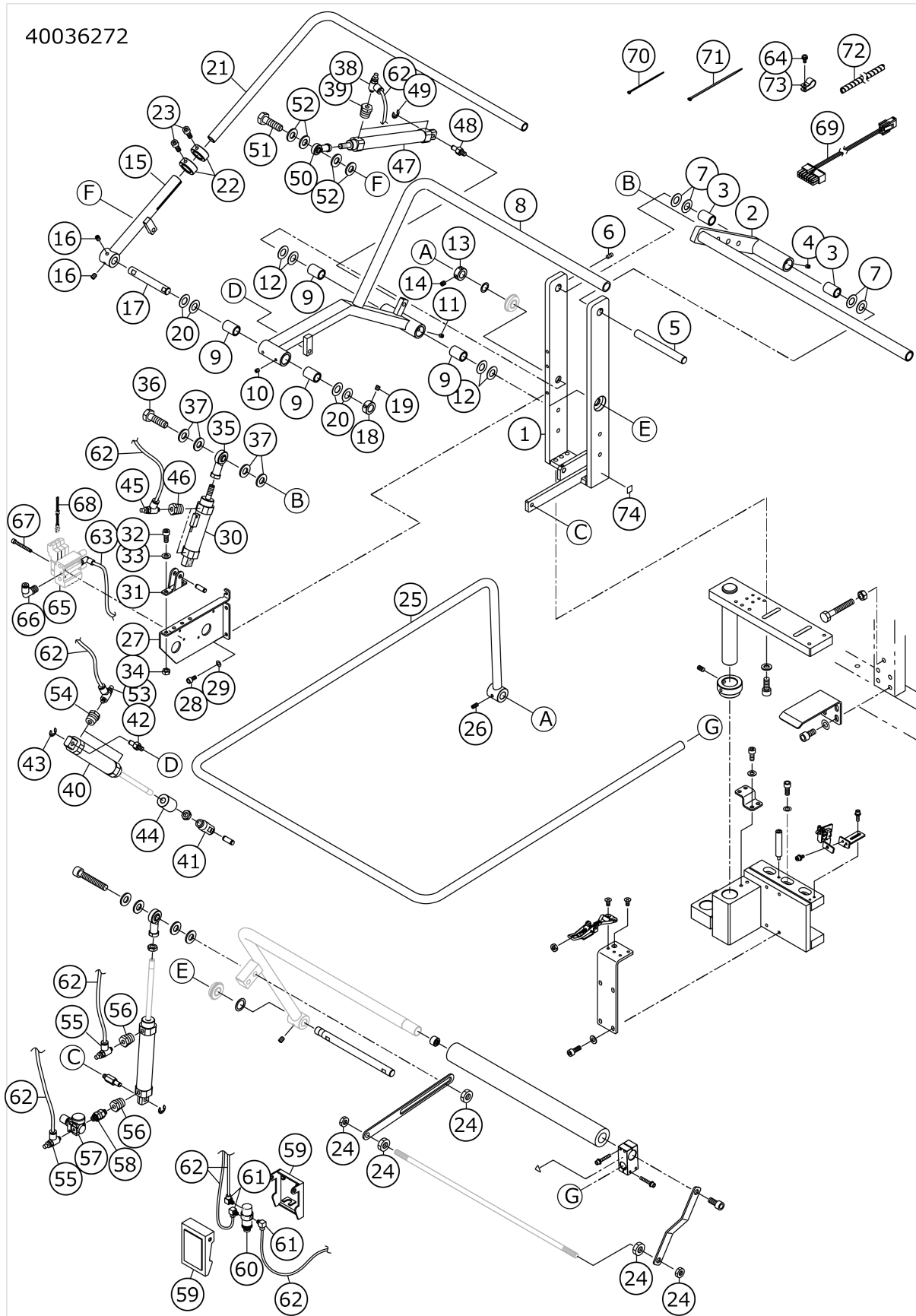


No.	品番	品名	備考	子部品	消耗品	個数
1	40045782	SA130_STANDING_WORK_PEDAL				1.00
2	40049356	STEPPING_PEDAL_BASE		*		1.00
3	40056572	RUBBER_FOOT		*		4.00
4	SM6040802TN	SCREW		*		4.00
5	11159001	PEDAL SHAFT BRACKET		*		2.00
6	SL6082092TN	BOLT		*		2.00
7	D8113555B00	PEDAL BUSHING		*		2.00
8	B8153771000	PEDAL CONNECTING ROD		*		1.00
9	GPF06060000	PEDAL		*		1.00
10	GPF06070000	PEDAL MAT		*		1.00
11	GPF06080000	PEDAL ADJUSTING PLATE		*		1.00
12	SL6061492TN	BOLT		*		2.00
13	SM6051202TN	SCREW M5X0.8 L=12		*		1.00
14	40049360	STEPPING_LEVER		*		1.00
15	SD0800746TP	SHOULDER SCREW		*		1.00
16	40049361	COLLAR		*		1.00
17	40049366	BALL_PLUNGER		*		1.00
18	40049862	GEAR_2		*		1.00
19	SM8040612TP	SCREW M4 L=6		*		1.00
20	40049861	GEAR_1		*		1.00
21	SM8040412TP	SET SCREW M4 L=4		*		1.00
22	SL4040891SC	SCREW M4 L=8		*		1.00
23	HX00150000B	CABLE CLIP		*		1.00
24	40055805	PEDAL SWITCH CORD ASM		*		1.00
25	40017742	EARTH CORD ASSY		*		1.00
26	SM9040500SN	SCREW M4X0.7 L=5		*		1.00
27	40049359	SWITCH_BKT		*		1.00
28	SL6040892TN	BOLT		*		2.00
29	NM6060001SC	NUT M6		*		2.00
30	40049363	ANCHOR		*		1.00
31	40049365	SPRING		*		1.00
32	40049362	SPRING_HANG_ARM		*		1.00
33	SM6051202TN	SCREW M5X0.8 L=12		*		1.00
34	40049364	ANCHOR		*		1.00
35	NM6060001SC	NUT M6		*		1.00
36	40049367	METAL		*		2.00
37	40056893	LINK_SHAFT		*		1.00
38	40049357	SWITCH_BOX		*		1.00
39	SL6061492TN	BOLT		*		2.00
40	40049358	SWITCH_BOX_COVER		*		1.00
41	SM0040601SC	SCREW M4X0.7 L=6		*		2.00
42	40055808	RESET PEDAL SW ASM		*		1.00
43	SM1040801SC	SCREW M4X0.7 L=8		*		2.00
44	SM9065003SC	SCREW M6 L=50		*		1.00
45	NM6060001SC	NUT M6		*		1.00
46	SM9062553SC	SCREW M6 L=25		*		1.00
47	NM6060001SC	NUT M6		*		1.00
48	40055804	PEDAL SW EARTH PLATE		*		1.00
49	SL4040691SC	SCREW M4 L=6		*		1.00
50	HX00150000B	CABLE CLIP		*		1.00

51	SL4040891SC	SCREW M4 L=8		*		1.00
52	EA9500B0000	CLIP CV-70S		*		4.00
53	E9567319000	EARTH MARK		*		1.00
54	SL6082092TN	BOLT		*		1.00

SP-46:CLAMP BAR STACKER DEVICE (1)

40036272

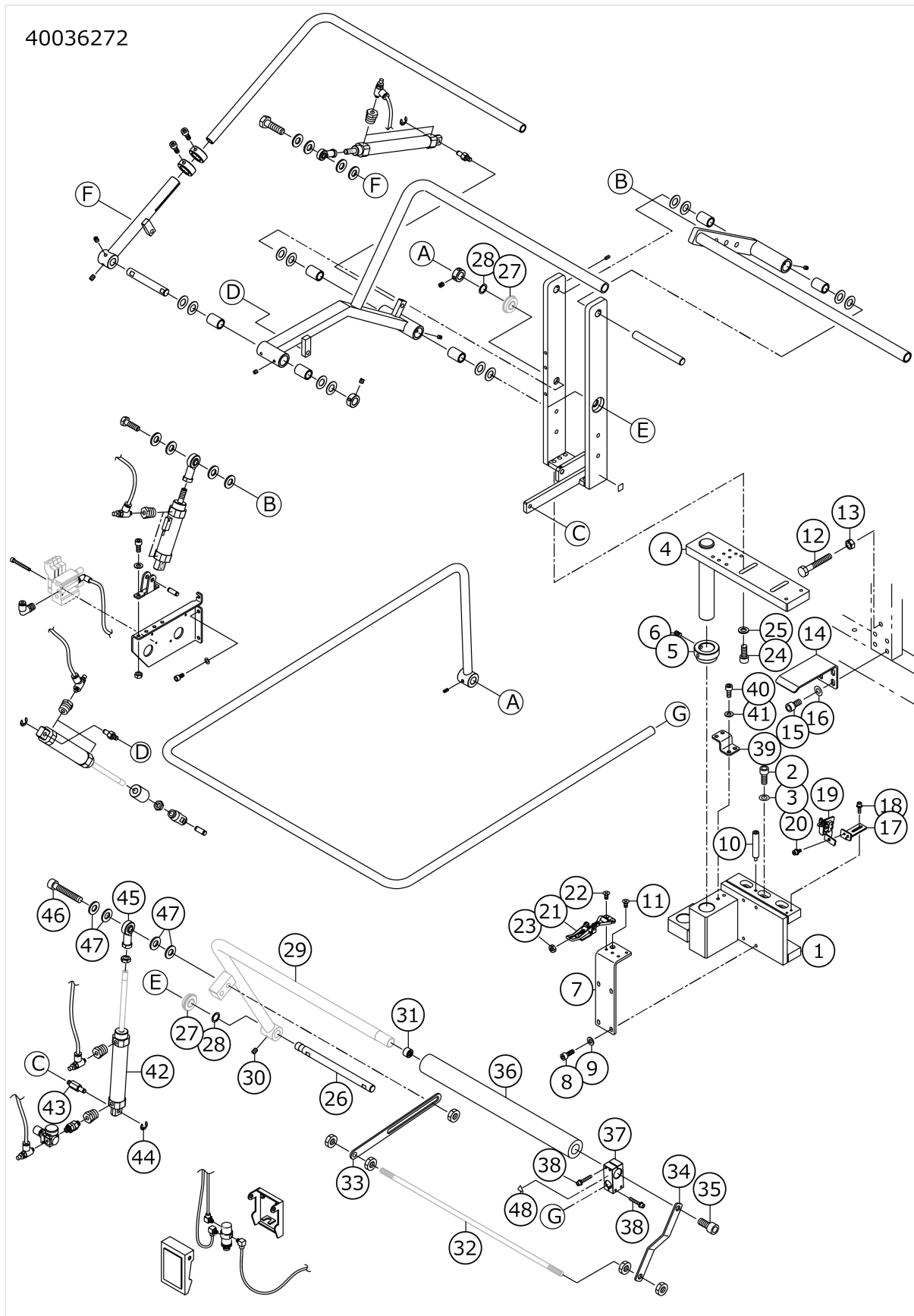


No.	品番	品名	備考	子部品	消耗品	個数
1	40101442	STACKER_BASE_E				1.00
2	40101444	CLOTH_BRUSH_BAR_D				1.00
3	40035147	METAL				2.00
4	SM8050592TP	SCREW				2.00
5	40033781	SHAFT_B				1.00
6	SM8051002TP	SCREW M5 L=10				2.00
7	40035145	THRUST WASHER				4.00
8	40101443	CLOTH_BRUSH_BAR_A				1.00
9	40035147	METAL				4.00
10	SM8050592TP	SCREW				3.00
11	SM8051002TP	SCREW M5 L=10				2.00
12	40035145	THRUST WASHER				4.00
13	CS1501171TP	THRUST COLLAR D=15 W=11				1.00
14	SM8060612TP	SCREW M6 L=6				2.00
15	40035121	CLOTH_BRUSH_BAR_B				1.00
16	SM8060812TP	SCREW M6 L=8				2.00
17	40040602	SHAFT_A				1.00
18	CS1501171TP	THRUST COLLAR D=15 W=11				1.00
19	SM8060812TP	SCREW M6 L=8				2.00
20	40035144	THRUST WASHER				4.00
21	40035122	CLOTH_BRUSH_BAR_C				1.00
22	40033783	CLAMP				2.00
23	SM6061602TN	SCREW M6 L=16				2.00
24	NM6100003SC	NUT M10				5.00
25	40035124	SAFTY_BAR				1.00
26	SM8060812TP	SCREW M6 L=8				2.00
27	40040601	VALVE_BRACKET				1.00
28	SM6061202TN	BOLT				3.00
29	WP0651001SC	WASHER				3.00
30	40035148	CYLINDER(S=50)				1.00
31	PA900060000	CLEVIS HOLDER				1.00
32	SM6061402TN	BOLT				2.00
33	WP0651001SC	WASHER				2.00
34	NM6060001SC	NUT M6				2.00
35	40040603	ROD_END				1.00
36	SM9103513SC	SCREW M10 L=35				1.00
37	WP1052001SC	WASHER 10,5X21X2				4.00
38	PC010508000	SPEED CONTROLLER				2.00
39	PJ015105001	BUSHING				2.00
40	PA2511001A0	AIR CYLINDER				1.00
41	PA900071000	CYLINDER JOINT				1.00
42	40035137	CYLINDER_SHAFT_B				1.00
43	RE0700000K0	E-RING 7				1.00
44	40035138	CYLINDER_ROD_STOPPER				1.00
45	PC010508000	SPEED CONTROLLER				2.00
46	PJ015105001	BUSHING				2.00
47	40035150	CYLINDER(S=160)				1.00
48	40035137	CYLINDER_SHAFT_B				1.00
49	RE0700000K0	E-RING 7				1.00
50	40035314	ROD_END				1.00

51	SM9082503SE	HEXAGONAL HEADED BOLT				1.00
52	WP0841600SE	WASHER 8,4X15,5X1,6				4.00
53	PC010508000	SPEED CONTROLLER				2.00
54	PJ015105001	BUSHING				2.00
55	PC010508000	SPEED CONTROLLER				2.00
56	PJ015105001	BUSHING				2.00
57	PF0205010A0	REGULATOR				1.00
58	PJ030050001	UNIVERSAL NIPPLE				1.00
59	PX020002000	ACTUATOR				1.00
60	PV010502000	AIR VALVE				1.00
61	PJ046052503	HOSE ELBOW				3.00
62	BT0400251EB	URETHANE HOSE, BLACK				10.00
63	BT0600401EB	TUBE				1.50
64	SL4041091SC	SCREW M4 L=10				2.00
65	40040527	MANIFOLD_VALVE_ASSY				1.00
66	PJ304045102	ELBOW UNION, C				1.00
67	SM6043552TN	SCREW M4 L=35				2.00
68	40032964	AIR VALVE CABLE ASM				3.00
69	40044893	STACKER CORD B ASM				1.00
70	EA9500B0100	CABLE BAND				10.00
71	EA9500B0200	CABLE BAND 150				10.00
72	HX00314000B	SPIRAL TUBE				0.50
73	HX00150000D	CABLE CLIP				2.00
74	CM600100101	WEEE MARK LABEL S				1.00

SP-46:CLAMP BAR STACKER DEVICE (2)

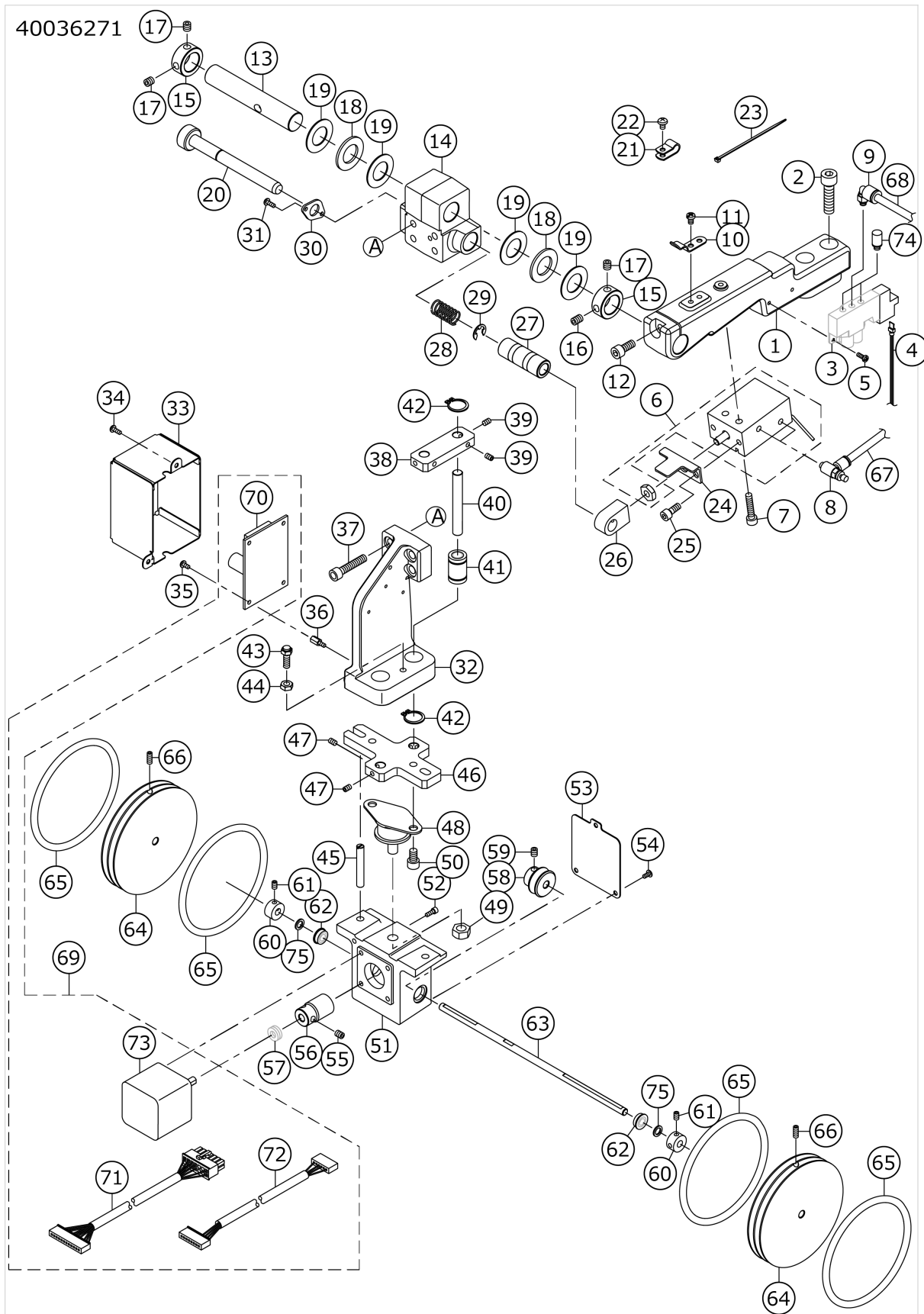
40036272



No.	品番	品名	備考	子部品	消耗品	個数
1	40040585	STACKER_BASE_A				1.00
2	SM6082002TN	SCREW M8 L=20				3.00
3	WP0841600SC	WASHER				3.00
4	40040591	STACKER_BASE_C				1.00
5	40035128	BASE_COLLAR				1.00
6	SM8061002TP	SCREW M6 L=10				2.00
7	40040593	STACKER_BASE_F				1.00
8	SM6061602TN	SCREW M6 L=16				4.00
9	WP0651001SC	WASHER				4.00
10	40040596	BASE_STAD				1.00
11	SM1051001SC	SCREW M5 L=10				1.00
12	SM9085553SC	HEXAGONAL BOLT				1.00
13	NM6080001SC	NUT M8X1.25				1.00
14	40040597	STACKER_SUPPORT_PLATE				1.00
15	SM6081602TN	BOLT M8 L=16				4.00
16	WP0841600SC	WASHER				4.00
17	40040587	SENSOR_PLATE				1.00
18	SL6041492TN	SCREW				2.00
19	M8598610AA0	HEAD DETECT SWITCH ASM.				1.00
20	SL6041092TN	SCREW				1.00
21	40035146	ADJUSTABLE_FASTENERS				1.00
22	SM1051001SC	SCREW M5 L=10				4.00
23	NM6060003SC	NUT M6				1.00
24	SM6082002TN	SCREW M8 L=20				4.00
25	WP0841600SC	WASHER				4.00
26	40033782	SHAFT_C				1.00
27	SB115001000	ROLLING BEARING				2.00
28	D1231555B00	WASHER				2.00
29	40035119	CLAMP_BASE				1.00
30	SM8060812TP	SCREW M6 L=8				2.00
31	40035130	CLAMP_BASE_NUT				1.00
32	40040589	ASSIST_BAR				1.00
33	40040590	ASSIST_PLATE				1.00
34	40040588	ASSIST_BAR_SUPPORT_PLATE				1.00
35	SM6102002TN	SCREW M10 L=20				1.00
36	40035143	CLAMP_BASE_CUSHION				1.00
37	40035129	STRUT_CLAMP				1.00
38	SL6042592TN	SCREW				4.00
39	40040595	STACKER_ROCK_PLATE				1.00
40	SM6061402TN	BOLT				4.00
41	WP0651001SC	WASHER				4.00
42	PA2511001A0	AIR CYLINDER				1.00
43	40035136	CYLINDER_SHAFT_A				1.00
44	RE0700000K0	E-RING 7				1.00
45	40040603	ROD_END				1.00
46	SM6105502TN	HEXAGONAL-HOLE BOLT M10 L=55				1.00
47	WP1052001SC	WASHER 10,5X21X2				4.00
48	CM300200001	ATTENTION SEAL				1.00

SP-47:ROLLER STACKER DEVICE


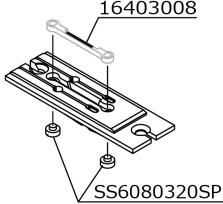
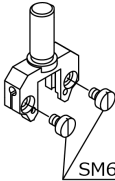
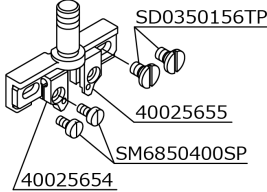
40036271




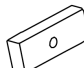


No.	品番	品名	備考	子部品	消耗品	個数
1	40033769	ROLLER_STACKER_BASE_A				1.00
2	SM6083002TN	SCREW M8 L=30				2.00
3	PV1502060B0	5-PORT SOLENOID VALVE				1.00
4	40032964	AIR VALVE CABLE ASM.				1.00
5	SM4030855SN	SCREW M3 L=8.0				2.00
6	40033805	ASSY_ROLLER_STACKER_CYLINDER				1.00
7	SM6052502TN	HEXAGONAL-HOLE BOLT				2.00
8	PC010508000	SPEED CONTROLLER				2.00
9	PJ304040505	ELBOW				1.00
10	40033770	ROCK_SPRING				1.00
11	SM4040655SN	SCREW M4X0.7 L=6				2.00
12	SM6061402TN	BOLT				1.00
13	40033771	PIVOT_SHAFT				1.00
14	40033768	PIVOT_BASE				1.00
15	CS1701181TP	THRUST COLLAR D=17 W=11				2.00
16	SM8060842TP	SCREW M6 L=8				1.00
17	SM8060612TP	SCREW M6 L=6				3.00
18	B1211280000	THRUST BEARING				2.00
19	B1643470000	THRUST WASHER				4.00
20	40033773	ROCK_SHAFT				1.00
21	HX00150000F	CABLE CLIP				3.00
22	SM4040655SN	SCREW M4X0.7 L=6				3.00
23	EA9500B0100	CABLE BAND				5.00
24	40041358	CYL_PLATE				1.00
25	SM6051202TN	SCREW M5X0.8 L=12				2.00
26	40041357	CYL_JOINT				1.00
27	40041370	METAL				1.00
28	40041372	SPRING				1.00
29	RE0700000K0	E-RING 7				1.00
30	40041371	SPRING_PLATE				1.00
31	SM4030855SN	SCREW M3 L=8.0				2.00
32	40041360	ROLLER_STACKER_ARM				1.00
33	40041365	PCB_COVER				1.00
34	SM4030855SN	SCREW M3 L=8.0				2.00
35	SM4030601SN	SCREW M3 X 6				4.00
36	G5858830000	STUD				4.00
37	SM6062002TN	SCREW M6 L=20				4.00
38	40041361	SHAFT_GUIDE_BLOCK				1.00
39	SM8040612TP	SCREW M4 L=6				4.00
40	40041363	GUIDE_SHAFT_A				2.00
41	SB708000100	BEARING				2.00
42	RC0150001KP	RETAINING RING 13.8				4.00
43	40036277	STOPPER BOLT				1.00
44	NM6050001SP	NUT M5				1.00
45	40041364	GUIDE_SHAFT_B				2.00
46	40041362	BASE_PLATE				1.00
47	SM8040612TP	SCREW M4 L=6				4.00
48	40039769	DAMPER				1.00
49	NM6080001SC	NUT M8X1.25				1.00
50	SM6061002TP	SCREW M6 L=10				2.00

51	40041366	GEAR_BOX				1.00
52	SM6030802TN	BOLT				4.00
53	40041367	GEAR_BOX_COVER				1.00
54	SM0030601SC	SCREW M3X0.5 L=6				3.00
55	SM8050612TP	SCREW M5X6				2.00
56	40043811	WORM				1.00
57	SB406000100	THRUST BEARING				1.00
58	40043812	WORM_WHEEL				1.00
59	SM8050612TP	SCREW M5X6				2.00
60	G6014880000	LINK THRUST HOLDER				2.00
61	SM8040612TP	SCREW M4 L=6				4.00
62	SB106000700	BALL BEARING				2.00
63	40041359	ROLLER_SHAFT				1.00
64	40041368	ROLLER_90				2.00
65	40041369	O_RING				4.00
66	SM8041012TP	SCREW M4 L=10				2.00
67	BT0400251EB	URETHANE HOSE, BLACK				0.50
68	BT0600400EC	TUBE HOSE, BLUE				0.30
69	40044897	ROLLER STACKER CTL				1.00
70	40040396	PMDC X1 PCB ASSY		*		1.00
71	40044887	ROLLER STACKER RERAY CORD C AS		*		1.00
72	40044888	ROLLER STACKER RERAY CORD D AS		*		1.00
73	40044473	ROLLER STACKER MOTOR		*		1.00
74	PX050501000	SILENCER				2.00
75	WP0621026SP	WASHER 6.2X9.5X1				2.00


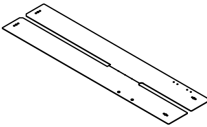
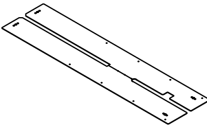
GAUGE COMPONENTS (1)



Needle gauge 針 幅	Needle plate 針 板		Needle clamp (for delivery) 針 留 (出荷用)		Needle clamp (for replacement) 針 留 (交換用)	
						
mm	Ref.No.	Part No.	Ref.No.	Part No.	Ref.No.	Part No.
22mm	①	400-46307	⑦	400-46320	⑬	400-45698
24mm	②	400-46308	⑧	400-46321		
26mm	③	400-46309	⑨	400-46322		
28mm	④	400-46310	⑩	400-46323	⑭	400-45699
30mm	⑤	400-46311	⑪	400-46324		
32mm	⑥	400-46312	⑫	400-46325		

Needle gauge 針 幅	Needle thread knife 上糸切りメス		Needle thread counter knife 上糸切り固定メス		Needle thread clamp plate 上糸クランプ板	
						
mm	Ref.No.	Part No.	Ref.No.	Part No.	Ref.No.	Part No.
22mm	⑮	400-33811	⑱	164-11308	⑳	164-11407
24mm						
26mm	⑯	400-33812	⑲	400-39788	㉑	400-39783
28mm						
30mm	⑰	400-33813				
32mm						

No.	品番	品名	備考	子部品	消耗品	個数
1	40046307	NEEDLE_PLATE_22_ASM				1.00
2	40046308	NEEDLE_PLATE_24_ASM				1.00
3	40046309	NEEDLE_PLATE_26_ASM				1.00
4	40046310	NEEDLE_PLATE_28_ASM				1.00
5	40046311	NEEDLE_PLATE_30_ASM				1.00
6	40046312	NEEDLE_PLATE_32_ASM				1.00
7	40046320	NEEDLE_BAR_CLAMP_22_ASM				1.00
8	40046321	NEEDLE_BAR_CLAMP_24_ASM				1.00
9	40046322	NEEDLE_BAR_CLAMP_26_ASM				1.00
10	40046323	NEEDLE_BAR_CLAMP_28_ASM				1.00
11	40046324	NEEDLE_BAR_CLAMP_30_ASM				1.00
12	40046325	NEEDLE_BAR_CLAMP_32_ASM				1.00
13	40045698	PH=NEEDLE_CLAMP_BASE_22_26				1.00
14	40045699	PH=NEEDLE_CLAMP_BASE_28_32				1.00
15	40033811	UPPER_KNIFE_22_24				1.00
16	40033812	UPPER_KNIFE_26_28				1.00
17	40033813	UPPER_KNIFE_30_32				1.00
18	16411308	FIXED KNIFE				1.00
19	40039788	NEEDLE_THREAD_COUNTER_KNIFE_B				1.00
20	16411407	CLAMP PLATE A				1.00
21	40039783	CLAMP_PLATE_B				1.00

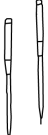
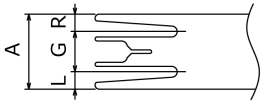
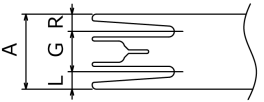
GAUGE COMPONENTS (2)

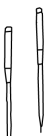
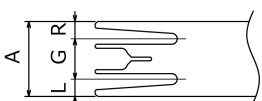
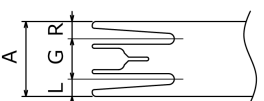
Needle gauge 針 幅	Sewing table 縫製テーブル		Paving plate 敷板	
				
mm	Ref.No.	Part No.	Ref.No.	Part No.
22mm	①	400-27367	③	400-71730
24mm				
26mm				
28mm	②	400-27368	④	400-71731
30mm				
32mm				

Needle gauge 針 幅	Corner knife コーナーメス	
		
mm	Ref.No.	Part No.
22,24,26mm	⑤	166-07707
	⑥	166-07806
28,30,32mm	⑦	166-07905
	⑧	166-08002

No.	品番	品名	備考	子部品	消耗品	個数
1	40027367	SEWNING_TABLE_UNIT_22_26				1.00
2	40027368	SEWNING_TABLE_UNIT_28_32				1.00
3	40071730	SEWNING_TABLE_UNIT_PAVING_22_26				1.00
4	40071731	SEWNING_TABLE_UNIT_PAVING_28_32				1.00
5	16607707	CORNER KNIFE (C-1)				1.00
6	16607806	CORNER KNIFE (C-2)				1.00
7	16607905	CORNER KNIFE (D-1)				1.00
8	16608002	CORNER KNIFE (D-2)				1.00

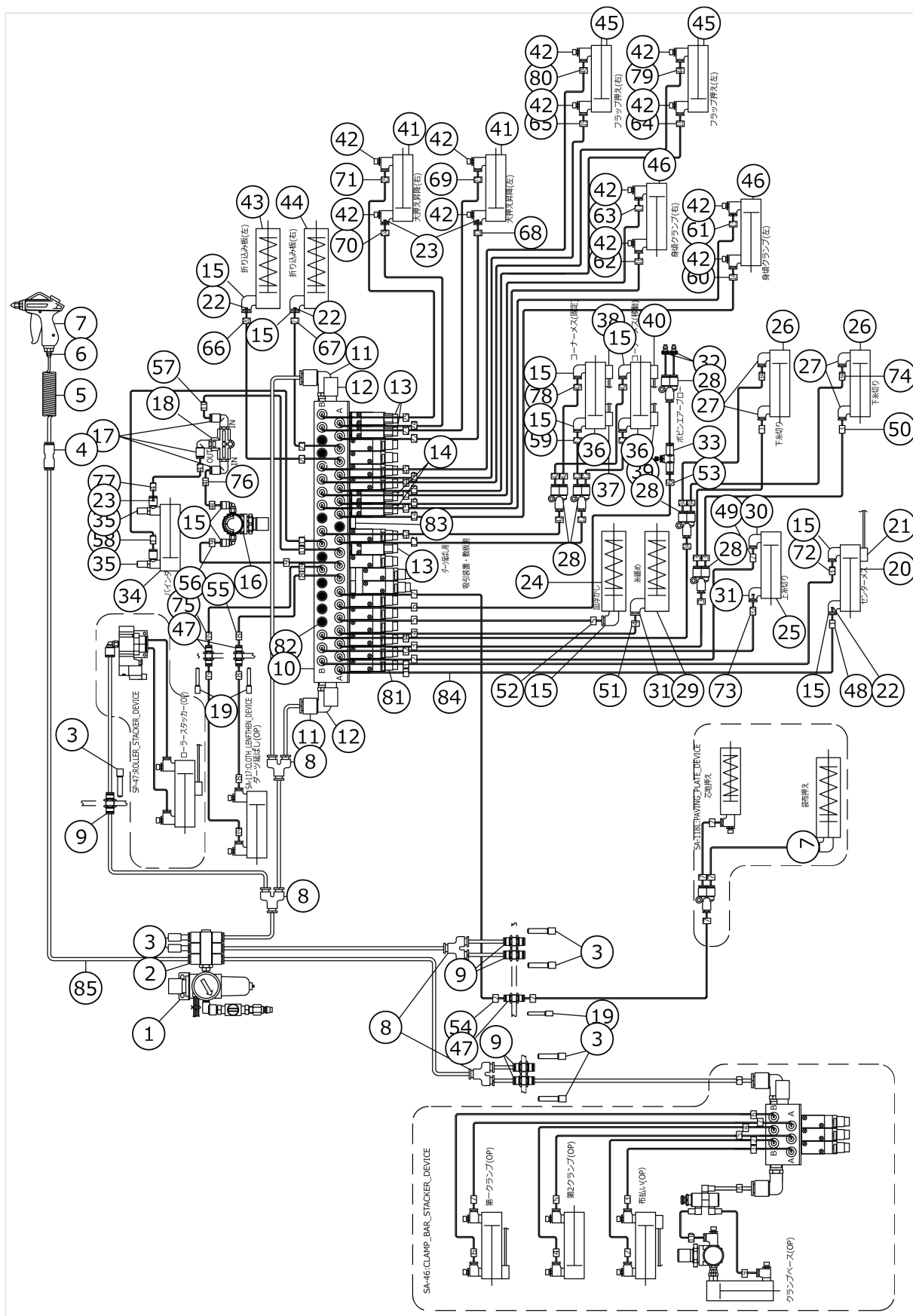
GAUGE COMPONENTS (3)

Needle gauge 針 幅	Double welt patch plate 両玉定規					Single welt patch plate(for both-side) 片玉定規(両流し)				
										
mm	Ref.No.	Part No.	L	R	A	Ref.No.	Part No.	L	R	A
22mm	①	400-35336	10.3	10.3	42.6	⑦	400-35348	21.3	21.3	64.6
24mm	②	400-35337	11.3	11.3	46.6	⑧	400-35349	23.3	23.3	70.6
26mm	③	400-35338	12.3	12.3	50.6	⑨	400-35350	25.3	25.3	76.6
28mm	④	400-35339	13.3	13.3	54.6	⑩	400-35351	27.3	27.3	82.6
30mm	⑤	400-35340	14.3	14.3	58.6	⑪	400-35352	29.3	29.3	88.6
32mm	⑥	400-35341	15.3	15.3	62.6	⑫	400-35353	31.3	31.3	94.6

Needle gauge 針 幅	Single welt patch plate(for left) 片玉定規(片流し左)					Single welt patch plate(for right) 片玉定規(片流し右)				
										
mm	Ref.No.	Part No.	L	R	A	Ref.No.	Part No.	L	R	A
22mm	⑬	400-35362	21.3	10.3	53.6	⑲	400-35375	10.3	21.3	53.6
24mm	⑭	400-35363	23.3	11.3	58.6	⑳	400-35376	11.3	23.3	58.6
26mm	⑮	400-35364	25.3	12.3	63.6	㉑	400-35377	12.3	25.3	63.6
28mm	⑯	400-35365	27.3	13.3	68.6	㉒	400-35378	13.3	27.3	68.6
30mm	⑰	400-35366	29.3	14.3	73.6	㉓	400-35379	14.3	29.3	73.6
32mm	⑱	400-35367	31.3	15.3	78.6	㉔	400-35380	15.3	31.3	78.6

No.	品番	品名	備考	子部品	消耗品	個数
1	40035336	WELT_PATCH_PLATE_22G_W				1.00
2	40035337	WELT_PATCH_PLATE_24G_W				1.00
3	40035338	WELT_PATCH_PLATE_26G_W				1.00
4	40035339	WELT_PATCH_PLATE_28G_W				1.00
5	40035340	WELT_PATCH_PLATE_30G_W				1.00
6	40035341	WELT_PATCH_PLATE_32G_W				1.00
7	40035348	WELT_PATCH_PLATE_22G_SB				1.00
8	40035349	WELT_PATCH_PLATE_24G_SB				1.00
9	40035350	WELT_PATCH_PLATE_26G_SB				1.00
10	40035351	WELT_PATCH_PLATE_28G_SB				1.00
11	40035352	WELT_PATCH_PLATE_30G_SB				1.00
12	40035353	WELT_PATCH_PLATE_32G_SB				1.00
13	40035362	WELT_PATCH_PLATE_22G_SL				1.00
14	40035363	WELT_PATCH_PLATE_24G_SL				1.00
15	40035364	WELT_PATCH_PLATE_26G_SL				1.00
16	40035365	WELT_PATCH_PLATE_28G_SL				1.00
17	40035366	WELT_PATCH_PLATE_30G_SL				1.00
18	40035367	WELT_PATCH_PLATE_32G_SL				1.00
19	40035375	WELT_PATCH_PLATE_22G_SR				1.00
20	40035376	WELT_PATCH_PLATE_24G_SR				1.00
21	40035377	WELT_PATCH_PLATE_26G_SR				1.00
22	40035378	WELT_PATCH_PLATE_28G_SR				1.00
23	40035379	WELT_PATCH_PLATE_30G_SR				1.00
24	40035380	WELT_PATCH_PLATE_32G_SR				1.00

PNEUMATIC CIRCUIT DIAGRAM (1)



No.	品番	品名	備考	子部品	消耗品	個数
1	G56042540A0	FILTER REGULATOR ASM.				1.00
2	PJ309065201	TRIPLE BRANCH UNIVERSAL ELBOW				1.00
3	PX950001000	PLUG				7.00
4	PJ303060001	STRAIGHT UNION				1.00
5	GSS36020000	COIL TUBE				1.00
6	PJ301065201	HALF UNION 6XPT1/4				1.00
7	40044823	AIR_GUN				1.00
8	PJ308060003	Y UNION				4.00
9	PJ230006200	UNION				5.00
10	40035097	MANIFOLD_VALVE_ASSY				1.00
11	PJ304065101	ELBOW UNION 6XPT1/8				2.00
12	PX055104000	SILENCER (PT1/8)				4.00
13	PV150106000	5-PORT SOLENOID VALVE				3.00
14	PV150105000	5-PORT SOLENOID VALVE				2.00
15	PJ304040504	ELBOW UNION				11.00
16	PF0205010C0	AIR REGULATOR				1.00
17	PJ304045102	ELBOW UNION, C				3.00
18	PV205101000	SHUTTLE VALVE				1.00
19	PX500014000	PLUG				3.00
20	PA1602012A0	AIR CYLINDER				1.00
21	40044626	AIRCYLINDER SENSOR CN79A				1.00
22	PC022403F00	INSERT RING				3.00
23	PC022403E00	INSERT RING				3.00
24	PA1000512A0	AIR CYLINDER				1.00
25	PA1604005B0	ARI CYLINDER				1.00
26	PA1001521A0	ARI CYLINDER				2.00
27	PJ046052503	HOSE ELBOW				4.00
28	PJ308040002	QUICK COUPLING				5.00
29	PA1002506A0	CYLINDER				1.00
30	PJ304040501	ELBOW UNION 4XM5				1.00
31	PJ304040506	ELBOW UNION				2.00
32	PJ032039001	CONNECTOR				2.00
33	PC012406000	SPEED CONTROLLER				1.00
34	PA2005016A0	AIR CYLINDER				1.00
35	PC010523000	SPEED CONTROLLER				2.00
36	PA1610004B0	AIR CYLINDER				2.00
37	40044627	AIRCYLINDER SENSOR CN79B				1.00
38	40044628	AIRCYLINDER SENSOR CN80B				1.00
39	40044629	AIRCYLINDER SENSOR CN81B				1.00
40	40044630	AIRCYLINDER SENSOR CN82B				1.00
41	PA2001701A0	AIR CYLINDER				2.00
42	PC010508000	SPEED CONTROLLER				12.00
43	PA150320200	AIR CYLINDER				1.00
44	PA150320100	AIR CYLINDER				1.00
45	PA1202501A0	AIR CYLINDER				2.00
46	PA1603503A0	AIR CYLINDER				2.00
47	PJ230004200	UNION				3.00
48	18035006	CABLE MARK NO.1				2.00
49	18035105	WIRE MARK (2)				2.00
50	18035204	WIRE MARK (3)				6.00

51	18035303	WIRE MARK (4)				2.00
52	18035402	WIRE MARK (5)				2.00
53	18035501	WIRE MARK (6)				2.00
54	18035600	WIRE MARK (7)				4.00
55	18035709	WIRE MARK (8)				2.00
56	18035808	WIRE MARK (9)				2.00
57	18035907	WIRE MARK (10)				2.00
58	18036004	WIRE MARK (11)				2.00
59	18036103	WIRE MARK (12)				6.00
60	18036301	WIRE MARK (14)				2.00
61	18036400	WIRE MARK (15)				2.00
62	18036509	WIRE MARK (16)				2.00
63	18036608	WIRE MARK (17)				2.00
64	18036707	WIRE MARK (18)				2.00
65	18036806	WIRE MARK (19)				2.00
66	18036905	WIRE MARK (20)				2.00
67	18037002	WIRE MARK (21)				2.00
68	18037101	WIRE MARK (22)				2.00
69	18037200	WIRE MARK (23)				2.00
70	18037309	WIRE MARK (24)				2.00
71	18037408	WIRE MARK (25)				2.00
72	18038000	WIRE MARK (31)				2.00
73	18038109	WIRE MARK (32)				2.00
74	18038307	WIRE MARK (34)				6.00
75	18038802	WIRE MARK (39)				2.00
76	18038901	WIRE MARK (40)				2.00
77	18039008	WIRE MARK (41)				2.00
78	18039107	WIRE MARK (42)				6.00
79	18039305	WIRE MARK (44)				2.00
80	18039404	WIRE MARK (45)				2.00
81	PV150104000	5-PORT SOKENOID VALVE				12.00
82	40044631	AIRCYLINDER SENSOR CN283				9.00
83	PV920004000	BLANKING PLATE ASM.				3.00
84	BT0400251EB	URETHANE HOSE, BLACK				30.00
85	BT0600400EC	TUBE HOSE, BLUE				5.50

No.	品番	品名	備考	子部品	消耗品	個数
1	PV150104000	5-PORT SOKENOID VALVE				2.00
2	PV1502060B0	5-PORT SOLENOID VALVE				2.00
3	PA2001006A0	AIR CYLINDER				1.00
4	40044632	AIRCYLINDER SENSOR CN284				1.00
5	PJ304065101	ELBOW UNION 6XPT1/8				1.00
6	PJ304040505	ELBOW				1.00
7	PJ030050001	UNIVERSAL NIPPLE				2.00
8	PJ308040002	QUICK COUPLING				3.00
9	PJ304040506	ELBOW UNION				5.00
10	PF0205010A0	REGULATOR				1.00
11	PC010507000	SPEED CONTROLLER				2.00
12	PA1500505A0	AIR CYLINDER				1.00
13	PJ046052503	HOSE ELBOW				3.00
14	PA1500505A0	AIR CYLINDER				1.00
15	PV010502000	AIR VALVE				1.00
16	PJ304045102	ELBOW UNION, C				1.00
17	PV035161000	MANIFOLD				2.00
18	PV150104000	5-PORT SOKENOID VALVE				3.00
19	PX055104000	SILENCER (PT1/8)				2.00
20	PA2505004A0	AIR CYLINDER				1.00
21	40044631	AIRCYLINDER SENSOR CN283				1.00
22	PA2511001A0	AIR CYLINDER				2.00
23	PA2016001A0	AIR CYLINDER				1.00
24	40044631	AIRCYLINDER SENSOR CN283				1.00
25	PC015108000	SPEED CONTROLLER				10.00
26	PJ015105001	BUSHING				8.00

HOW TO MAKE USE OF THIS PARTS LIST

1.Explanation of codes

1)"*"mark.....means this part is changed from the previous parts book.

As to the details of the change, refer to the "List for information of change".

2)"#01".....refer to "Note" explanation at bottom of page.

2.Codes on the "Qty" column

· Each numeral indicates the number of parts required.

· "0.1" and "2.5" indicate the length (in meters) of the respective parts.

3.Parentheses mean that the corresponding part is a subpart that constructs an assembly part.

4.Dotted lines on the Figures indicate assembly parts.

5.As to the parts with marks of "☆"(consumable parts) and "◎"(optional parts)on the respective parts, it is recommended to prepare spares.

1 ."注記"欄の記号説明

1) "*"印.....前回のパーツブックに比較して今回変更された部品を意味します。

変更内容は、"変更情報リスト"を参照してください。

2) "#01".....ページ下の"注記"の説明を参照してください。

2 .数量欄の数字は、個数を表し、0.1、2.5等の数値は、長さ（単位メートル）を表します。

3 .数量欄の（ ）は、組部品を構成している子部品であることを意味します。

4 .イラストページの-----枠は、組構成であることを意味します。

5 .リストページの"☆"（消耗部品）、"◎"（オプション部品）の印がついた部品は、予備を準備しておくことをお奨めします。